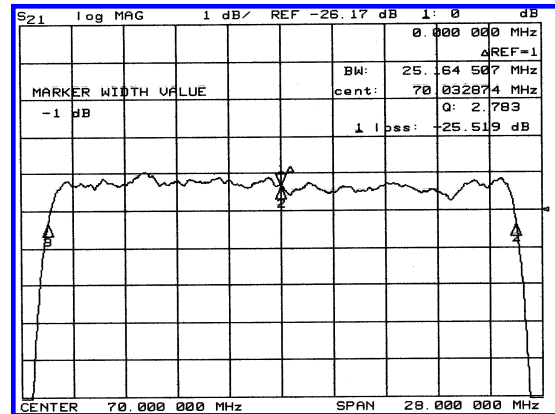
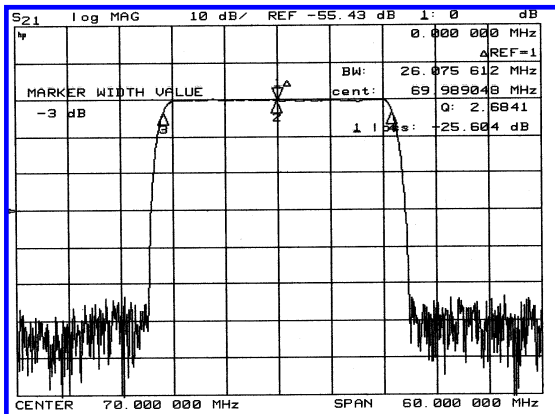


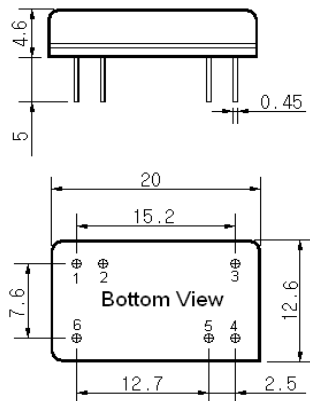
### Typical Performance



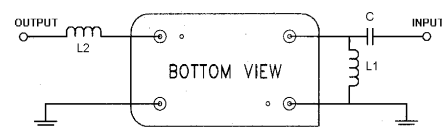
### Specification

Parameter	Unit	Min.	Typ.	Max.
Center Frequency	Mhz	69.92	70.00	70.08
Insertion Loss	dB	-	25.5	27.0
1dB Bandwidth	Mhz	25.00	25.15	-
3dB Bandwidth	Mhz	25.80	26.00	-
40dB Bandwidth	Mhz	-	29.38	29.50
Passband Ripple	dB	-	0.65	1.00
Group Delay Variation	nsec	-	50	100
Absolute Delay	µsec	-	1.56	-
Ultimate Attenuation	dB	50	55	-
Substrate Material	-	128LiNbO <sub>3</sub>		

### Package Dimension



### Matching Configuration



L1=0.12µH, L2=0.12µH, C=51pF  
Source / Load Impedance = 50Ω  
Ambient Temperature = 25°C

05/14/2002