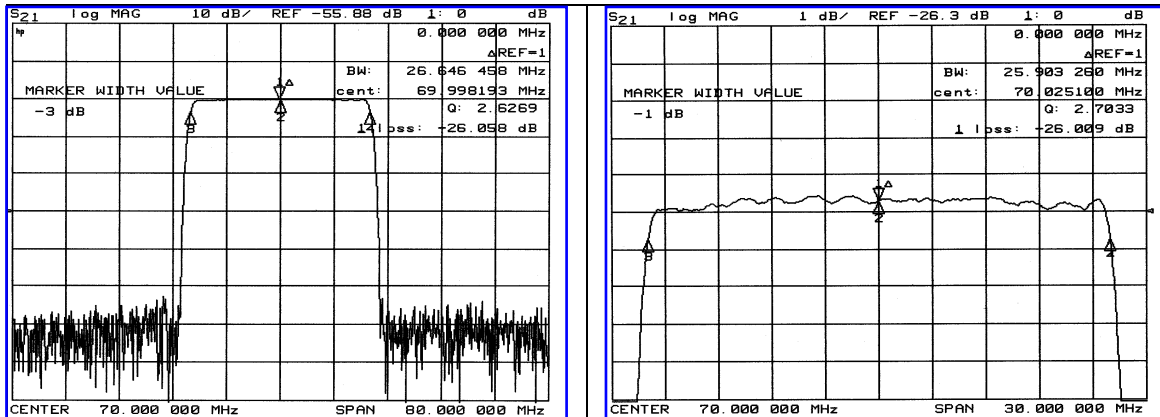


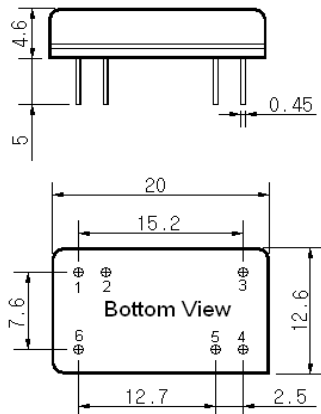
Typical Performance



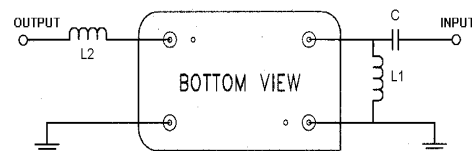
Specification

Parameter	Unit	Min.	Typ.	Max.
Center Frequency	Mhz	69.92	70.00	70.08
Insertion Loss	dB	-	26.00	27.00
1dB Bandwidth	Mhz	25.60	25.85	-
3dB Bandwidth	Mhz	26.50	26.65	-
40dB Bandwidth	Mhz	-	29.38	29.50
Passband Ripple	dB	-	0.75	1.00
Group Delay Variation	nsec	-	50	100
Absolute Delay	µsec	-	1.45	-
Ultimate Attenuation	dB	50	55	-
Substrate Material	-	128LiNbO ₃		

Package Dimension



Matching Configuration



L1=0.12µH, L2=0.12µH, C=60pF
Source / Load Impedance = 50Ω
Ambient Temperature = 25°C

05/14/2002