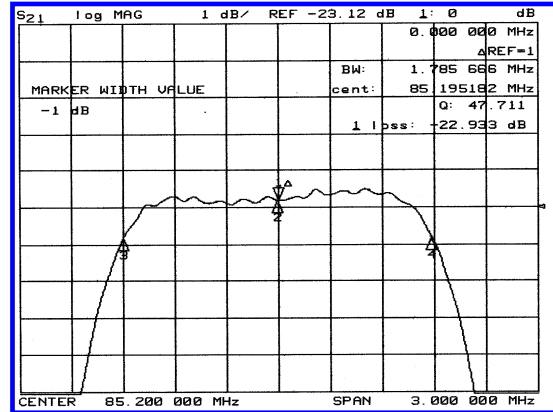
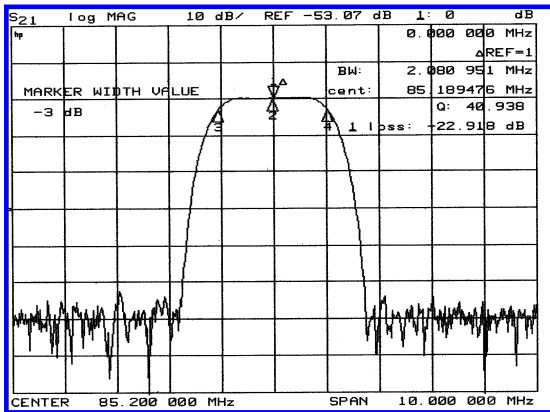


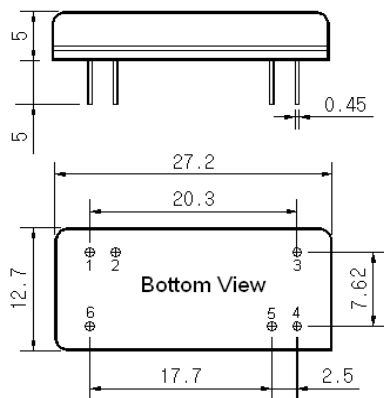
Typical Performance



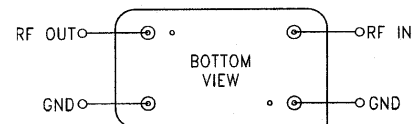
Specification

Parameter	Unit	Min.	Typ.	Max.
Center Frequency	Mhz	85.12	85.20	85.28
Insertion Loss	dB	-	23.00	24.50
1dB Bandwidth	MHz	1.50	1.78	-
3dB Bandwidth	Mhz	1.80	2.08	-
40dB Bandwidth	Mhz	-	3.30	3.50
Passband Ripple	dB	-	0.45	0.80
Group Delay Variation	nsec	-	200	250
Absolute Delay	µsec	-	3.53	-
Ultimate Attenuation	dB	50	55	-
Substrate Material	-	LiTaO ₃		

Package Dimension



Matching Configuration



No matching Required
 Source / Load Impedance = 50Ω
 Ambient Temperature = 25°C

11/23/2004