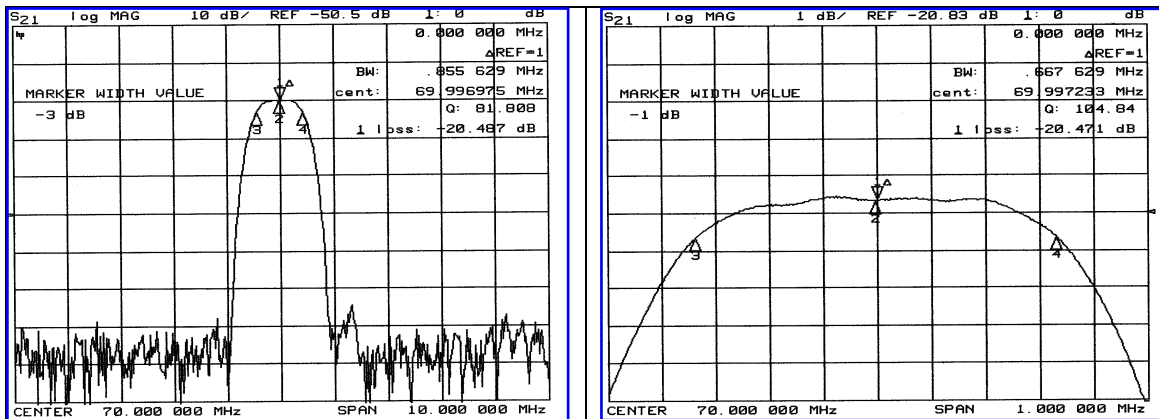


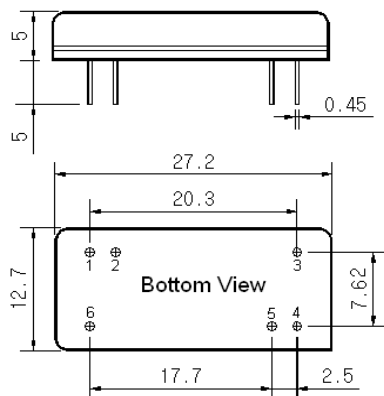
Typical Performance



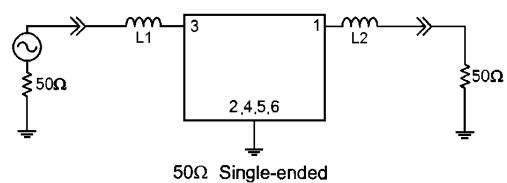
Specification

Parameter	Unit	Min.	Typ.	Max.
Center Frequency	Mhz	69.94	70.00	70.06
Insertion Loss	dB	-	20.50	22.00
1dB Bandwidth	Mhz	0.58	0.65	-
3dB Bandwidth	Mhz	0.75	0.85	-
40dB Bandwidth	Mhz	-	1.68	2.00
50dB Bandwidth	Mhz	-	-	-
Passband Ripple	dB	-	0.30	0.80
Group Delay Variation	nsec	-	150	300
Absolute Delay	µsec	-	3.5	-
Ultimate Attenuation	dB	50	60	-
Substrate Material	-	Quartz		
Temperature Coefficient	ppm/°C <sup>2</sup>	-0.03		

Package Dimension



Matching Configuration



L1 = 0.18µH , L2 = 0.18µH  
Source / Load Impedance = 50Ω  
Ambient Temperature = 25°C

03/14/2005