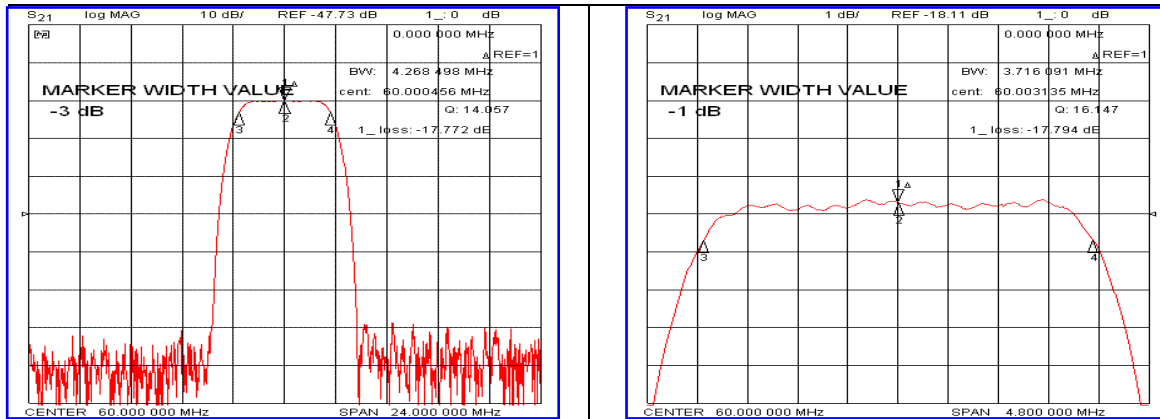


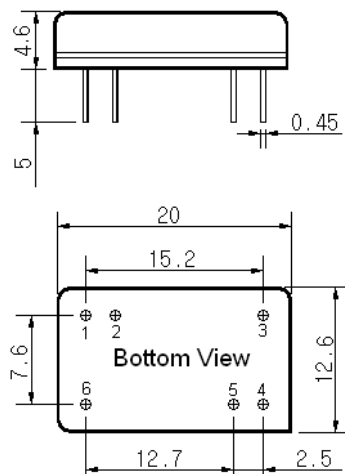
Typical Performance



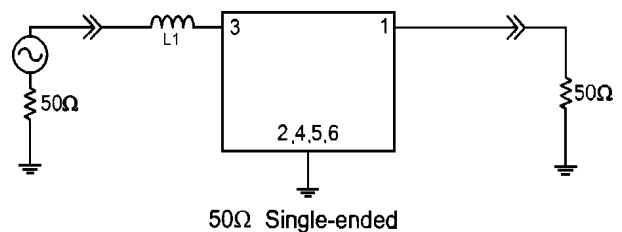
Specification

Parameter	Unit	Min.	Typ.	Max.
Center Frequency	MHz	59.92	60.00	60.08
Insertion Loss	dB	-	18.00	20.00
1dB Bandwidth	MHz	-	3.71	-
3dB Bandwidth	MHz	4.00	4.26	-
40dB Bandwidth	MHz	-	6.40	6.70
Passband Ripple	dB	-	0.55	1.00
Group Delay Variation	nsec	-	90	150
Absolute Delay	μsec	-	1.80	-
Ultimate Attenuation	dB	50	55	-
Substrate Material	-	Yz-LiNbO ₃		
Temperature Coefficient	ppm/°C	-94		

Package Dimension



Matching Configuration



L1=47nH
 Source / Load Impedance = 50Ω
 Ambient Temperature = 25°C

Rev.0 120210

