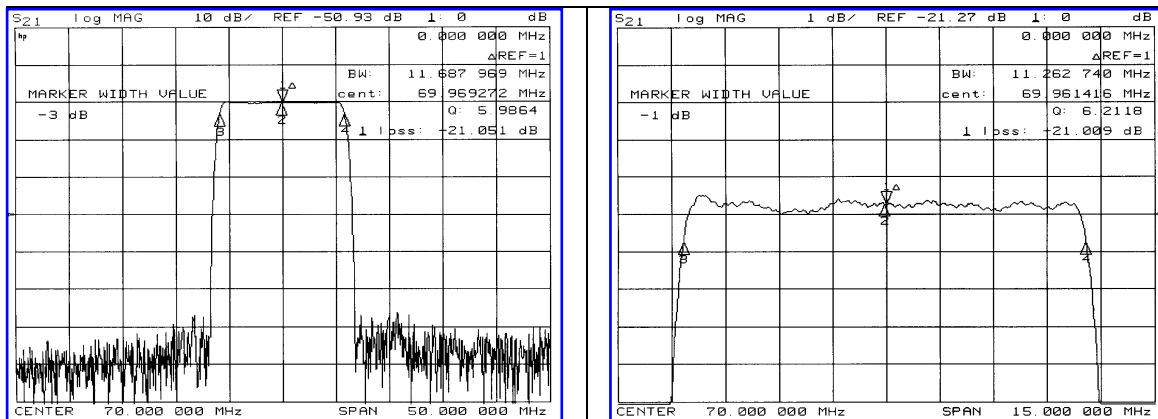


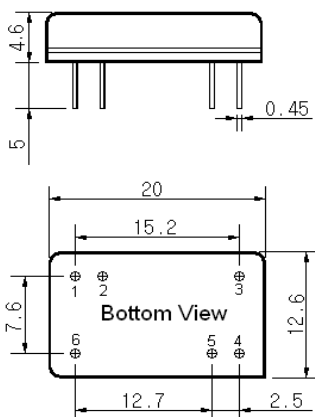
Typical Performance



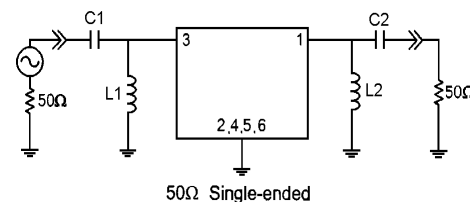
Specification

Parameter	Unit	Min.	Typ.	Max.
Center Frequency	MHz	69.92	70.00	70.08
Insertion Loss	dB	-	21.00	22.50
1dB Bandwidth	MHz	-	11.26	-
3dB Bandwidth	MHz	11.50	11.68	-
40dB Bandwidth	MHz	-	13.32	13.50
Passband Ripple	dB	-	0.55	1.00
Group Delay Variation	nsec	-	50	100
Absolute Delay	µsec	-	2.04	-
Ultimate Attenuation	dB	50	60	-
Substrate Material	-	128-LiNbO ₃		
Temperature Coefficient	ppm/°C	-72		

Package Dimension



Matching Configuration



L1=L2=100nH, C1=C2=56pF
 Source / Load Impedance = 50Ω
 Ambient Temperature = 25°C

04/03/2006

