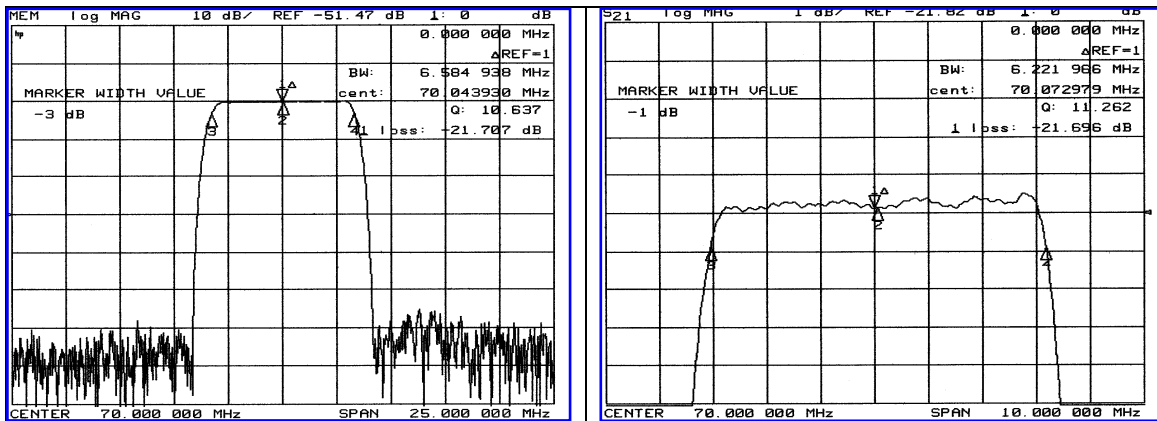


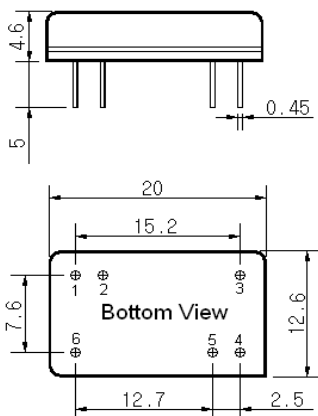
Typical Performance



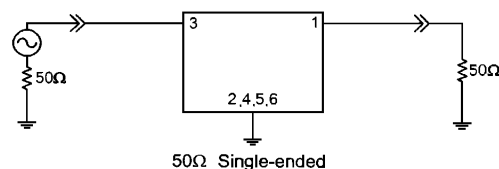
Specification

Parameter	Unit	Min.	Typ.	Max.
Center Frequency	Mhz	69.92	70.00	70.08
Insertion Loss	dB	-	21.50	23.00
1dB Bandwidth	Mhz	6.00	6.22	-
3dB Bandwidth	Mhz	6.40	6.60	-
40dB Bandwidth	Mhz	-	8.05	8.30
Passband Ripple	dB	-	0.55	1.00
Group Delay Variation	nsec	-	80	150
Absolute Delay	µsec	-	2.3	-
Ultimate Attenuation	dB	50	60	-
Substrate Material	-	YZ-LiNbO ₃		
Temperature Coefficient	ppm/°C	-94		

Package Dimension



Matching Configuration



No Matching required
 Source / Load Impedance = 50Ω
 Ambient Temperature = 25°C

02/16/2004