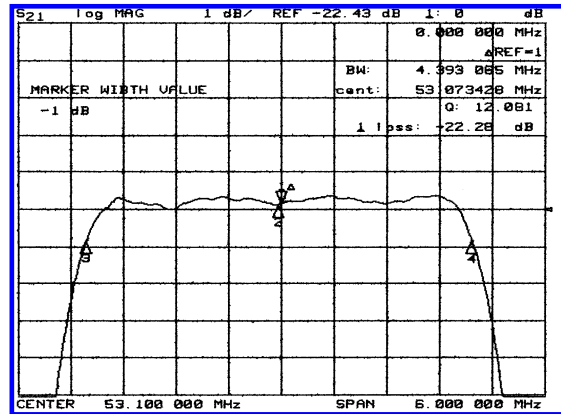
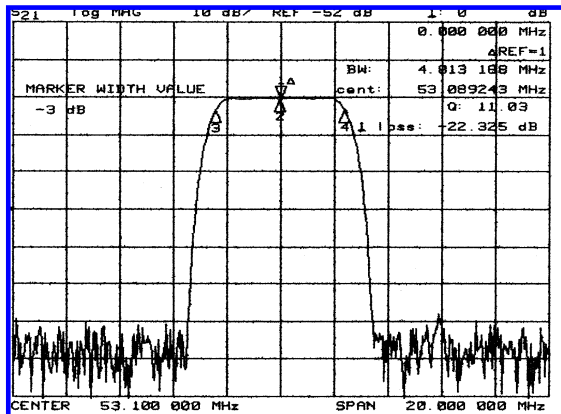


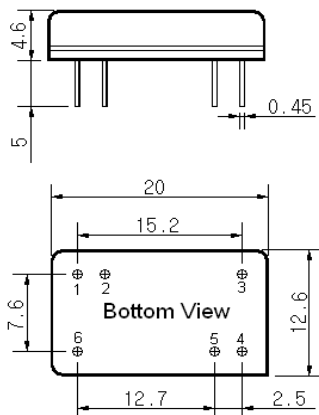
### Typical Performance



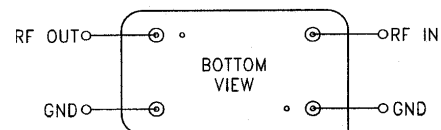
### Specification

Parameter	Unit	Min.	Typ.	Max.
Center Frequency	Mhz	52.92	53.00	53.08
Insertion Loss	dB	-	22.50	24.00
1dB Bandwidth	MHz	4.00	4.42	-
3dB Bandwidth	Mhz	4.50	4.80	-
40dB Bandwidth	Mhz	-	6.54	6.80
Passband Ripple	dB	-	0.55	0.80
Group Delay Variation	nsec	-	80	120
Absolute Delay	µsec	-	2.06	-
Ultimate Attenuation	dB	50	60	-
Substrate Material	-	YZ LiNbO <sub>3</sub>		

### Package Dimension



### Matching Configuration



No Matching required  
Source / Load Impedance = 50Ω  
Ambient Temperature = 25°C

09/04/2002