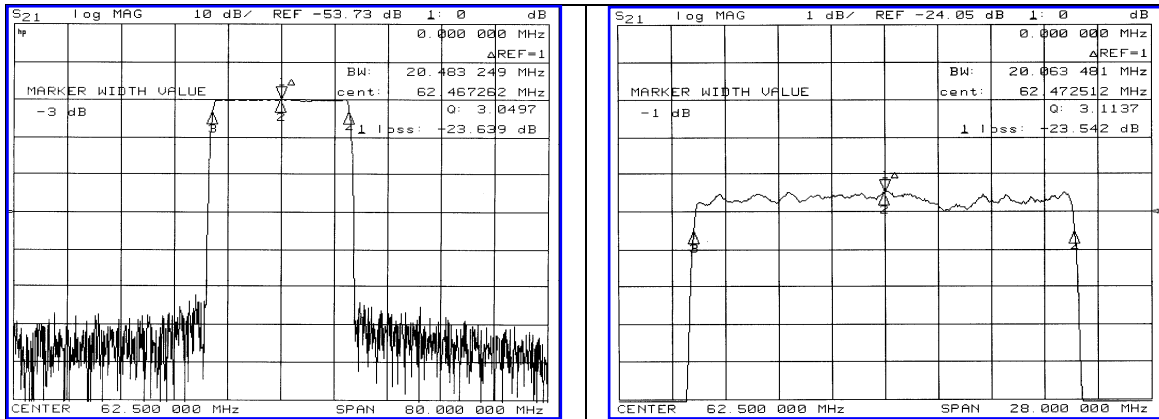


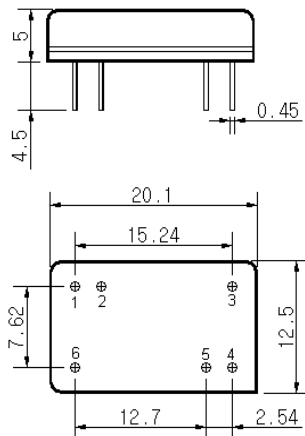
Typical Performance



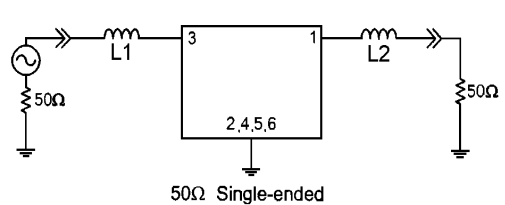
Specification

Parameter	Unit	Min.	Typ.	Max.
Center Frequency	MHz	62.42	62.50	62.58
Insertion Loss	dB	-	24.00	25.50
1dB Bandwidth	MHz	-	20.06	-
3dB Bandwidth	MHz	20.30	20.48	-
40dB Bandwidth	MHz	-	22.09	22.30
Passband Ripple	dB	-	0.55	1.00
Group Delay Variation	nsec	-	32	80
Absolute Delay	µsec	-	2.11	-
Ultimate Attenuation	dB	50	55	-
Substrate Material	-	128-LiNbO ₃		
Temperature Coefficient	ppm/°C ²	-72		

Package Dimension



Matching Configuration



L1=270nH, L2=180nH,
Source / Load Impedance = 50Ω
Ambient Temperature = 25°C

04/19/2006

