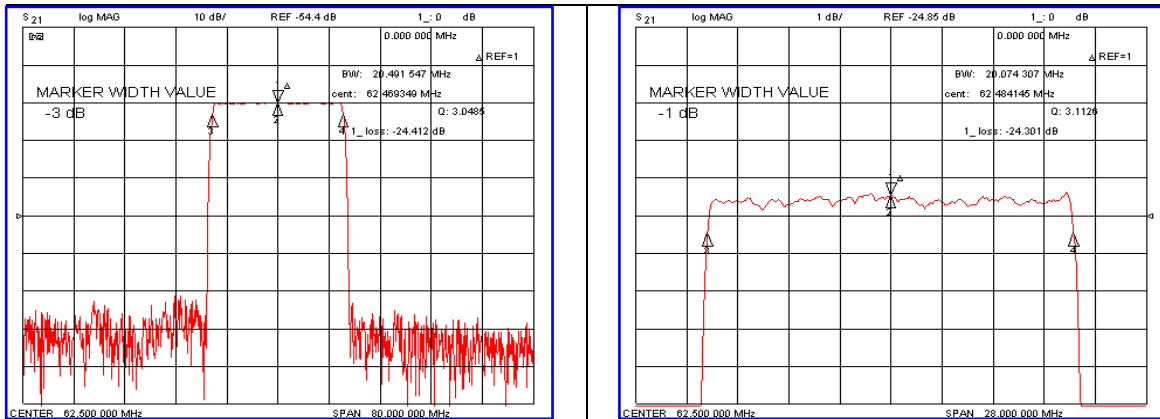


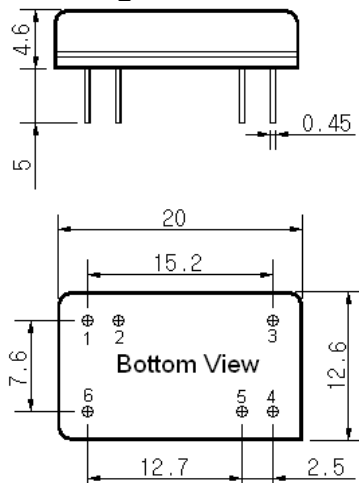
Typical Performance



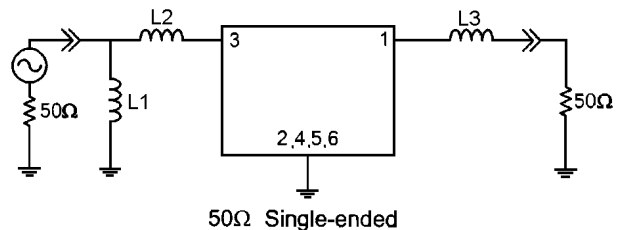
Specification

Parameter	Unit	Min.	Typ.	Max.
Center Frequency	MHz	62.42	62.50	62.50
Insertion Loss	dB	-	24.50	26.00
1dB Bandwidth	MHz	-	20.07	-
3dB Bandwidth	MHz	20.30	20.49	-
40dB Bandwidth	MHz	-	22.12	22.40
Passband Ripple	dB	-	0.45	1.00
Group Delay Variation	nsec	-	30	50
Absolute Delay	μsec	-	2.09	-
Ultimate Attenuation	dB	50	52	-
Substrate Material	-	128- LiNbO ₃		
Temperature Coefficient	ppm/°C	-72		

Package Dimension



Matching Configuration



L1=270nH, L2=270nH, L3=150nH
 Source / Load Impedance = 50Ω
 Ambient Temperature = 25°C

Rev0. 090630

