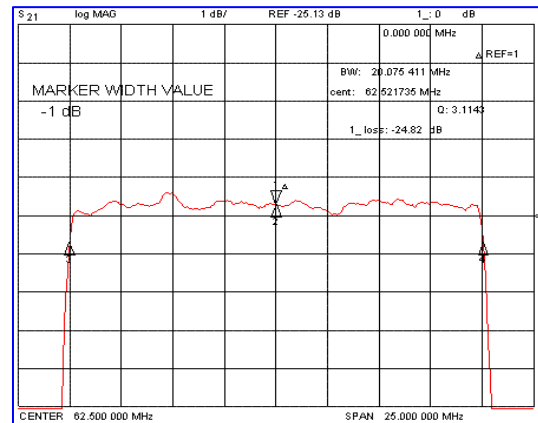
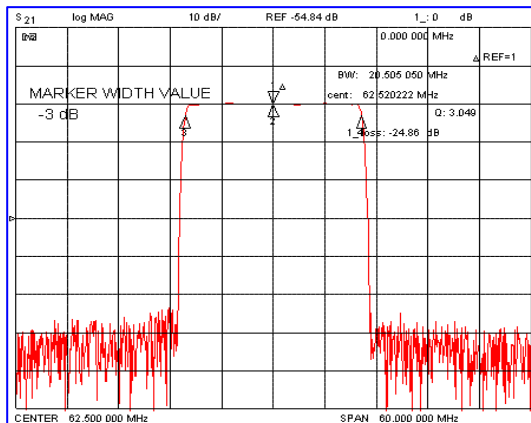


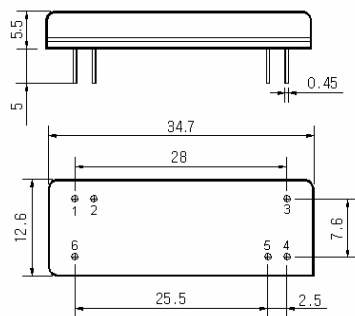
Typical Performance



Specification

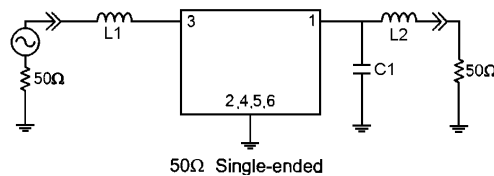
Parameter	Unit	Min.	Typ.	Max.
Center Frequency	Mhz	62.40	62.50	62.60
Insertion Loss	dB	-	25.00	26.50
1dB Bandwidth	Mhz	-	20.13	
3dB Bandwidth	Mhz	20.40	20.50	-
40dB Bandwidth	Mhz	-	22.12	22.40
Passband Ripple	dB	-	0.55	1.00
Group Delay Variation	nsec	-	50	100
Absolute Delay	µsec	-	2.10	-
Ultimate Attenuation	dB	50	55	-
Substrate Material	-	128-LiNbO ₃		

Package Dimension



1 : Output , 6 : Output Gnd
 3 : Input , 4 : Input Gnd
 2, 5 : Case Gnd

Matching Configuration



L1 = 180nH, L2 = 220nH, C1 = 10pF

Source / Load Impedance = 50Ω

Ambient Temperature = 25°C

RoHS Compliant

Rev1.0 / 061211

