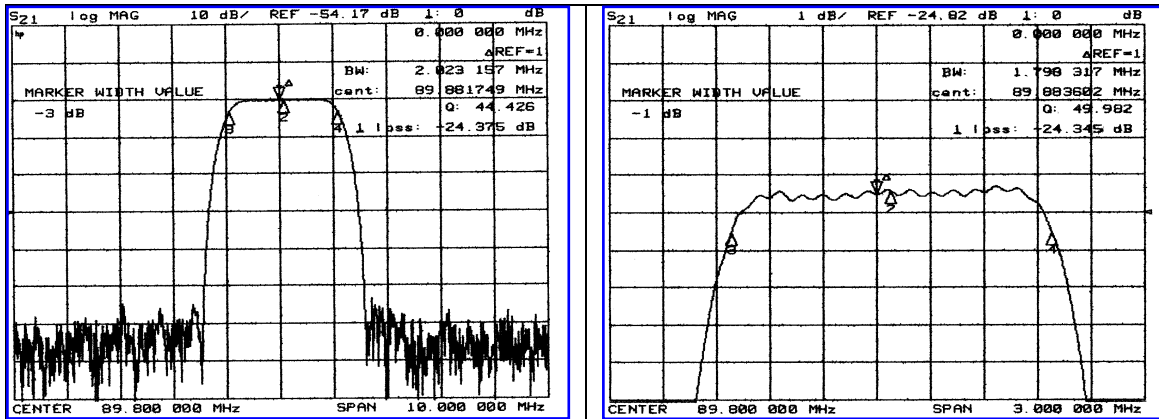


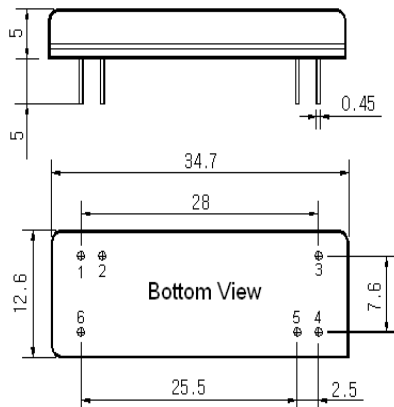
Typical Performance



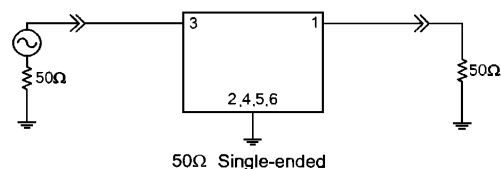
Specification

Parameter	Unit	Min.	Typ.	Max.
Center Frequency	Mhz	89.72	89.80	89.88
Insertion Loss	dB	-	24.50	26.00
1dB Bandwidth	Mhz	1.50	1.79	-
3dB Bandwidth	Mhz	1.80	2.02	-
40dB Bandwidth	Mhz	-	2.98	3.20
Passband Ripple	dB	-	0.45	0.80
Group Delay Variation	nsec	-	200	300
Absolute Delay	µsec	-	4.0	-
Ultimate Attenuation	dB	50	55	-
Substrate Material	-	LiTaO ₃		
Temperature Coefficient	ppm/°C	-20		

Package Dimension



Matching Configuration



No Matching required
 Source / Load Impedance = 50Ω
 Ambient Temperature = 25°C

02/16/2004