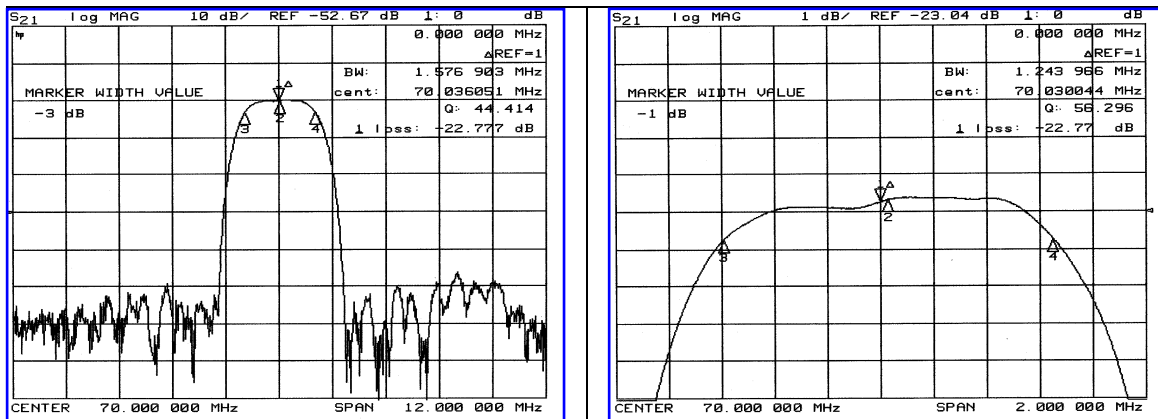


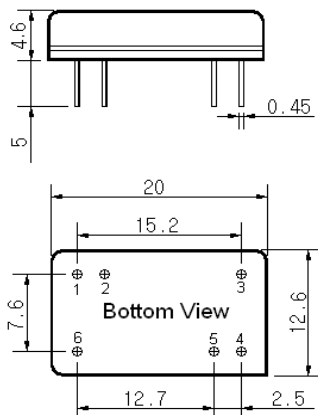
Typical Performance



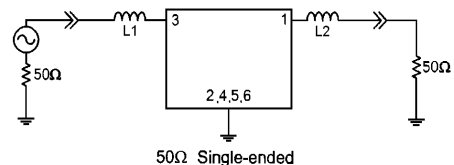
Specification

Parameter	Unit	Min.	Typ.	Max.
Center Frequency	MHz	69.94	70.00	70.06
Insertion Loss	dB	-	23.00	24.50
1dB Bandwidth	MHz	-	1.24	-
3dB Bandwidth	MHz	1.45	1.57	-
40dB Bandwidth	MHz	-	2.70	3.00
Passband Ripple	dB	-	0.65	1.00
Group Delay Variation	nsec	-	70	100
Absolute Delay	µsec	-	2.30	-
Ultimate Attenuation	dB	45	50	-
Substrate Material	-	Quartz		
Temperature Coefficient	ppm/°C	-0.03		

Package Dimension



Matching Configuration



L1 = 0.22µH, L2 = 0.18µH
 Source / Load Impedance = 50Ω
 Ambient Temperature = 25°C

02/02/2006