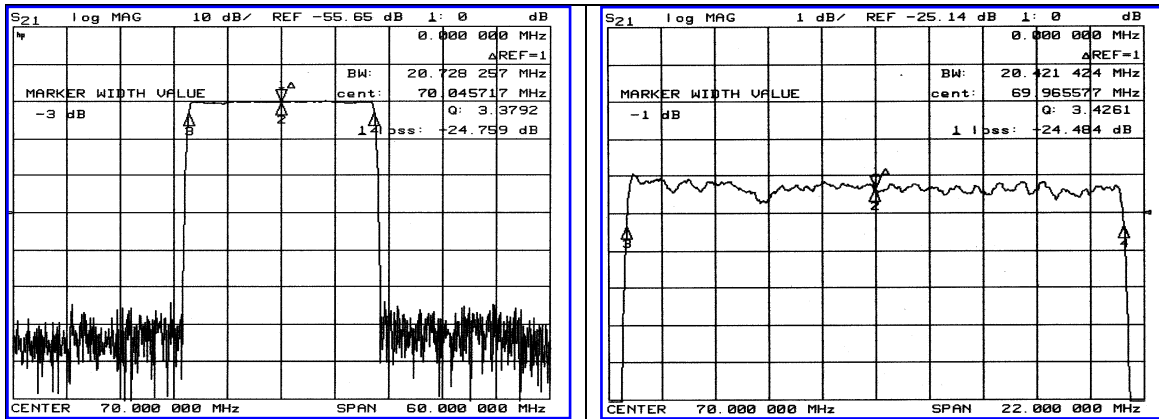


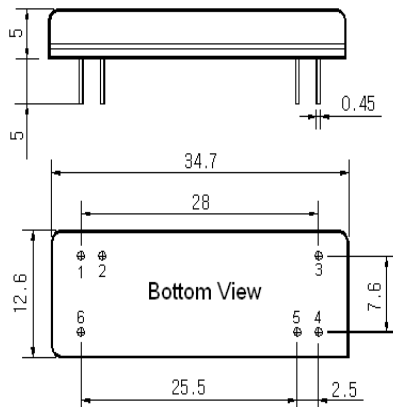
Typical Performance



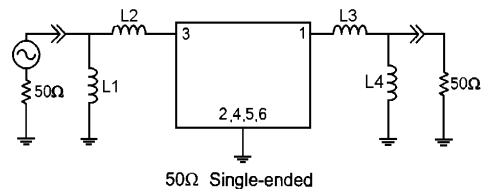
Specification

Parameter	Unit	Min.	Typ.	Max.
Center Frequency	Mhz	69.92	70.00	70.08
Insertion Loss	dB	-	24.50	26.00
1dB Bandwidth	Mhz	20.20	20.42	-
3dB Bandwidth	Mhz	20.60	20.72	-
40dB Bandwidth	Mhz	-	21.85	22.00
Passband Ripple	dB	-	0.65	1.00
Group Delay Variation	nsec	-	50	100
Absolute Delay	µsec	-	2.7	-
Ultimate Attenuation	dB	50	55	
Substrate Material	-	128-LiNbO ₃		
Temperature Coefficient	ppm/°C	-72		

Package Dimension



Matching Configuration



L1=L2=39nH, L3=0.18µH, L4=0.22 µH
 Source / Load Impedance = 50Ω
 Ambient Temperature = 25°C

06/09/2003