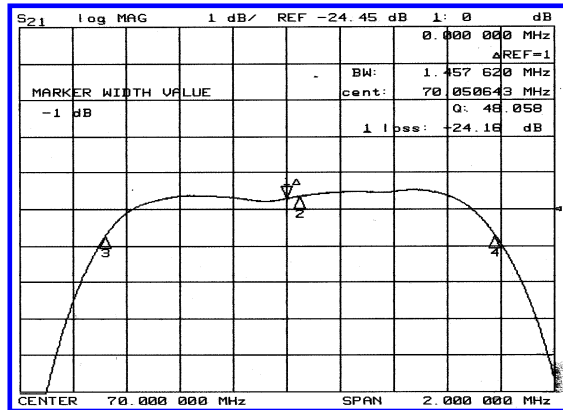
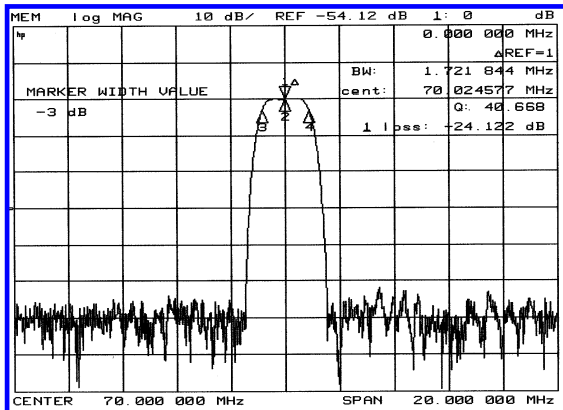


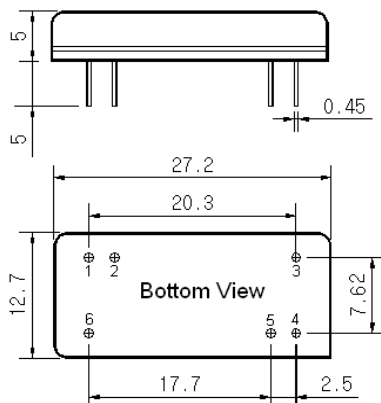
Typical Performance



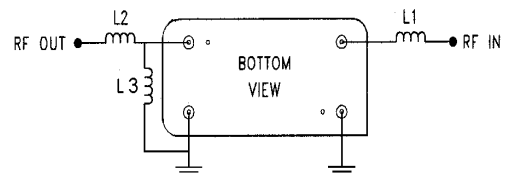
Specification

Parameter	Unit	Min.	Typ.	Max.
Center Frequency	Mhz	69.92	70.00	70.08
Insertion Loss	dB	-	24.0	25.5
1dB Bandwidth	Mhz	1.30	1.45	-
3dB Bandwidth	Mhz	1.50	1.72	-
40dB Bandwidth	Mhz	-	2.84	3.00
Passband Ripple	dB	-	0.55	0.80
Group Delay Variation	nsec	-	70	120
Absolute Delay	μsec	-	2.3	-
Ultimate Attenuation	dB	50	55	-
Substrate Material	-	Quartz		
Temperature Coefficient	ppm/°C	-0.03		

Package Dimension



Matching Configuration



L1=L2=0.18μH , L3=0.39μH
 Source / Load Impedance = 50Ω
 Ambient Temperature = 25°C

10/14/2003