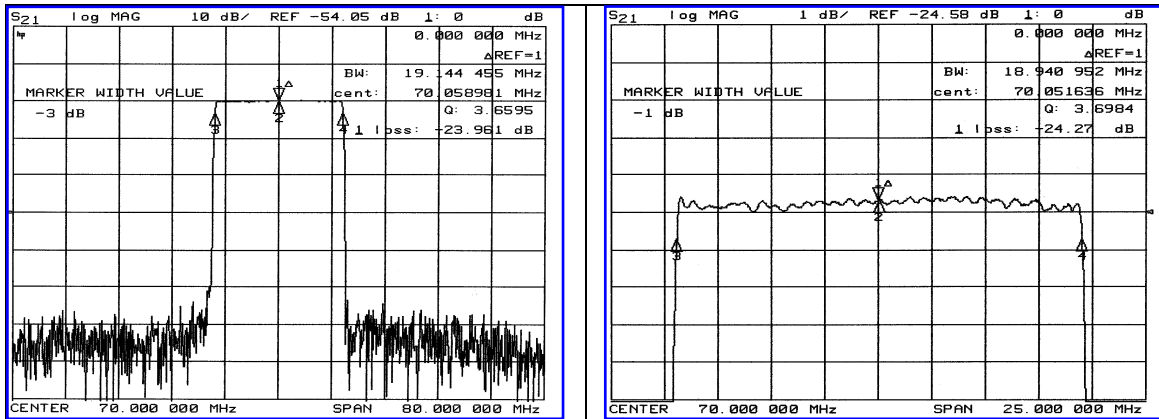


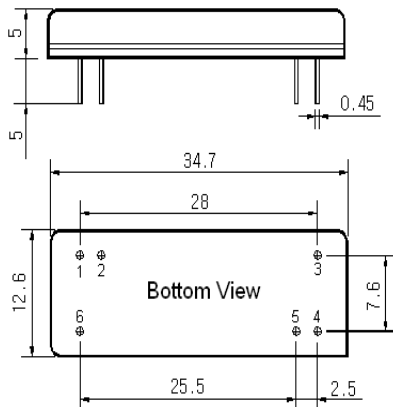
Typical Performance



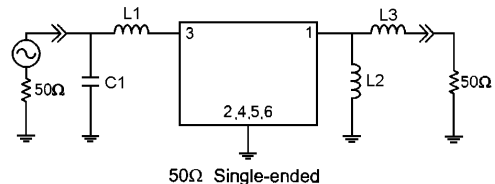
Specification

Parameter	Unit	Min.	Typ.	Max.
Center Frequency	MHz	69.92	70.00	70.08
Insertion Loss	dB	-	24.00	25.50
1dB Bandwidth	MHz	-	18.94	-
3dB Bandwidth	MHz	19.00	19.14	-
25dB Bandwidth	MHz	-	19.80	-
40dB Bandwidth	MHz	-	20.00	20.15
Passband Ripple	dB	-	0.55	1.00
Group Delay Variation	nsec	-	70	120
Absolute Delay	μsec	-	3.4	-
Ultimate Attenuation	dB	50	55	-
Substrate Material	-	128-LiNbO ₃		
Temperature Coefficient	ppm/°C	-72		

Package Dimension



Matching Configuration



L1=150nH, L2=0.27μH, L3=82nH, C1=27pF
Source / Load Impedance = 50Ω
Ambient Temperature = 25°C

07/21/2005

