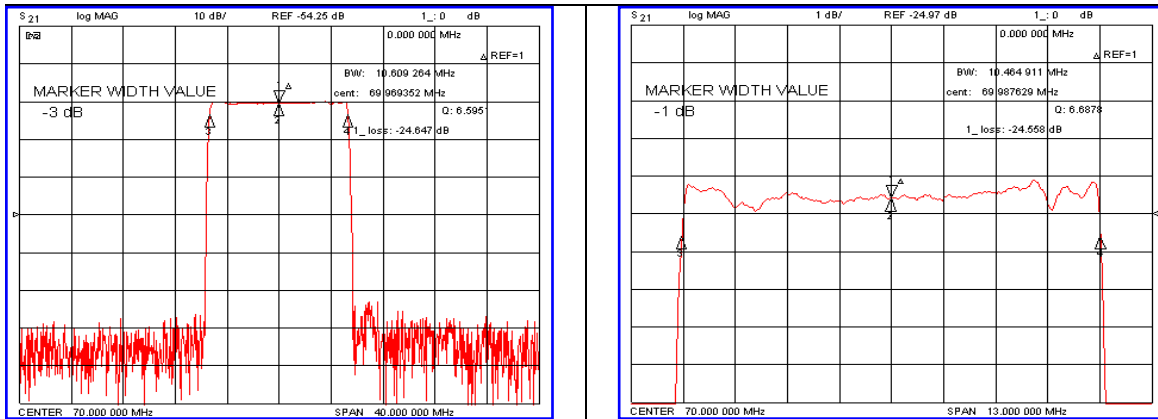


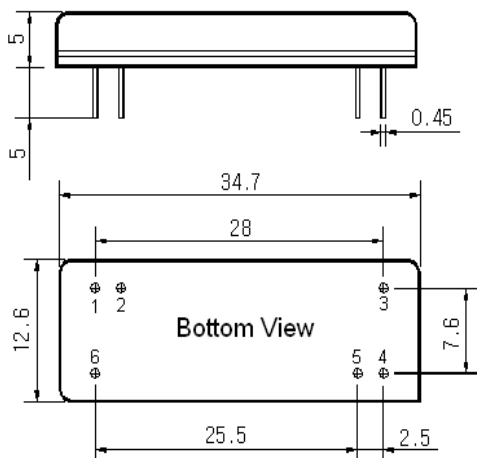
Typical Performance



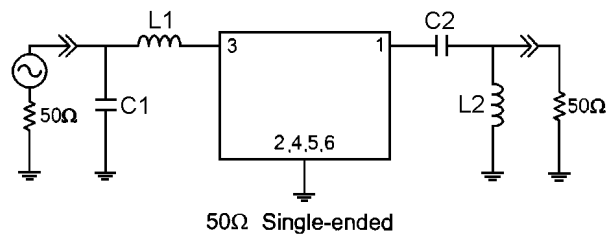
Specification

Parameter	Unit	Min.	Typ.	Max.
Center Frequency	MHz	69.92	70.00	70.08
Insertion Loss	dB	-	24.64	26.00
1dB Bandwidth	MHz	10.35	10.46	-
3dB Bandwidth	MHz	-	10.60	-
40dB Bandwidth	MHz	-	11.27	11.40
Passband Ripple	dB	-	0.81	1.00
Group Delay Variation	nsec	-	100	200
Absolute Delay	usec	-	4.07	-
Ultimate Attenuation	dB	50	53	-
Substrate Material	-	128-LiNbO <sub>3</sub>		
Temperature Coefficient	ppm/°C	-72		

Package Dimension



Matching Configuration



L1=22nH, L2=150nH, C1=16pF, C2=120pF  
Source / Load Impedance = 50Ω  
Ambient Temperature = 25°C

Rev.0 090113

