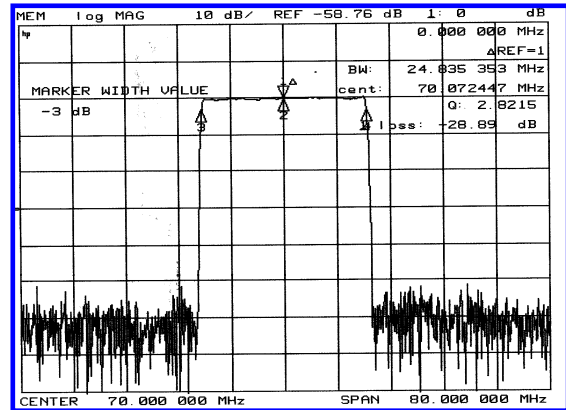
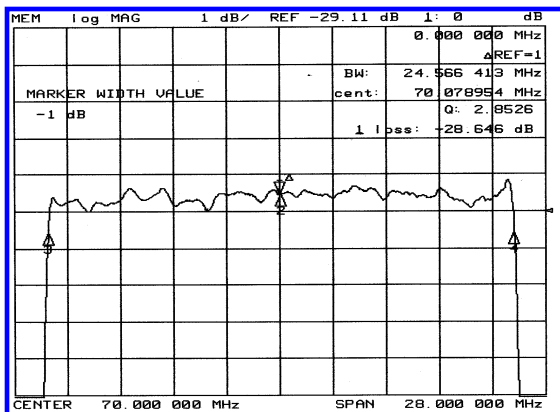


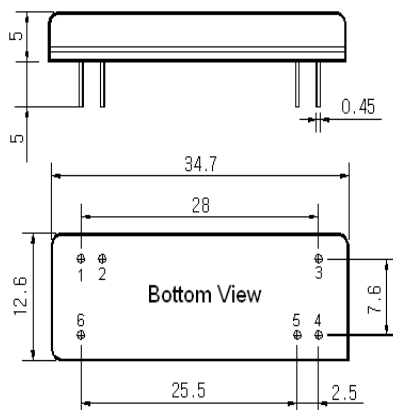
Typical Performance



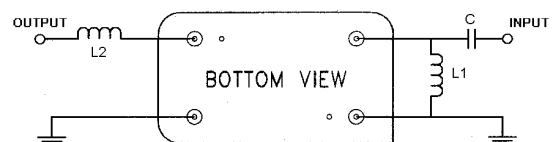
Specification

| Parameter | Unit | Min. | Typ. | Max. |
|-------------------------|--------|------------------------|-------|-------|
| Center Frequency | Mhz | 69.92 | 70.00 | 70.08 |
| Insertion Loss | dB | - | 28.8 | 30.0 |
| 1dB Bandwidth | Mhz | 24.50 | 24.56 | - |
| 3dB Bandwidth | Mhz | 24.80 | 24.84 | - |
| 50dB Bandwidth | Mhz | - | 26.11 | 26.30 |
| Passband Ripple | dB | - | 0.85 | 1.00 |
| Group Delay Variation | nsec | - | 50 | 100 |
| Absolute Delay | µsec | - | 2.6 | - |
| Ultimate Attenuation | dB | 50 | 55 | - |
| Substrate Material | - | 128-LiNbO ₃ | | |
| Temperature Coefficient | ppm/°C | -72 | | |

Package Dimension



Matching Configuration



L1 = L2 = 0.12µH , C = 91pF
Source / Load Impedance = 50Ω
Ambient Temperature = 25°C

10/14/2003