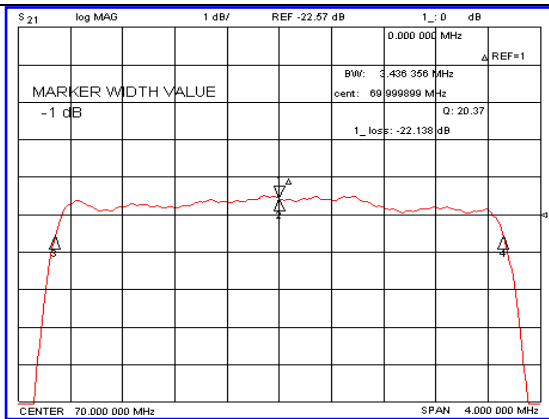
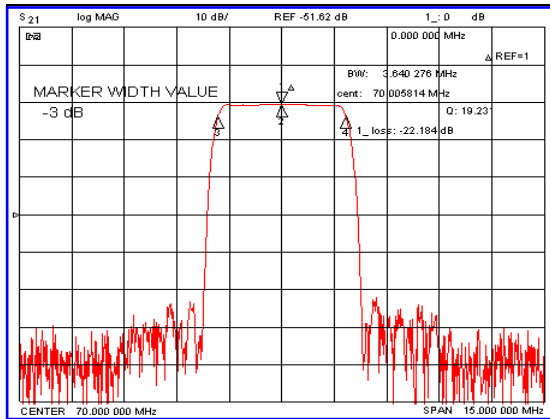


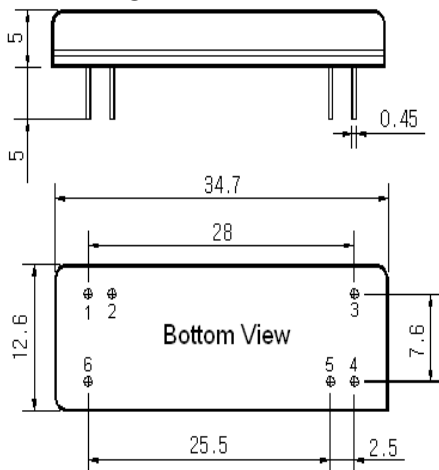
### Typical Performance



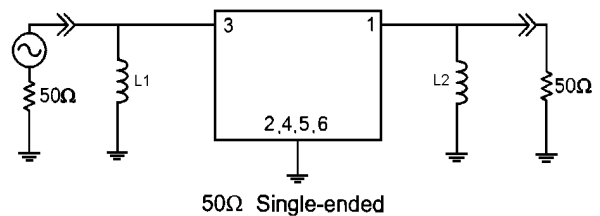
### Specification

Parameter	Unit	Min.	Typ.	Max.
Center Frequency	MHz	69.92	70.00	7.08
Insertion Loss	dB	-	22.18	24.50
1dB Bandwidth	MHz	3.35	3.43	-
3dB Bandwidth	MHz	-	3.64	-
50dB Bandwidth	MHz	-	4.47	4.60
Passband Ripple	dB	-	0.55	1.00
Group Delay Variation	nsec	-	100	200
Absolute Delay	μsec	-	4.97	-
Ultimate Attenuation	dB	50	52	-
Substrate Material	-	112-LiTaO <sub>3</sub>		
Temperature Coefficient	ppm/°C	-20		

### Package Dimension



### Matching Configuration



L1=100nH, L2=100nH  
 Source / Load Impedance = 50Ω  
 Ambient Temperature = 25°C

Rev0. 080102

