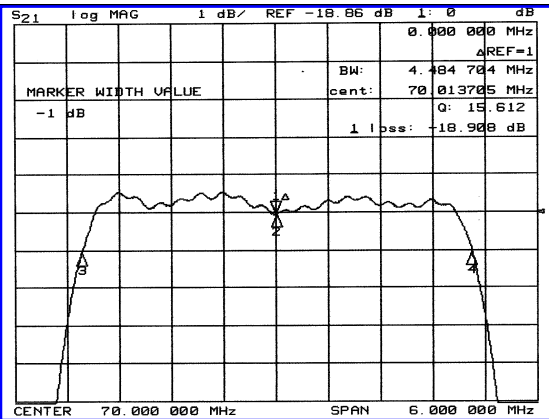
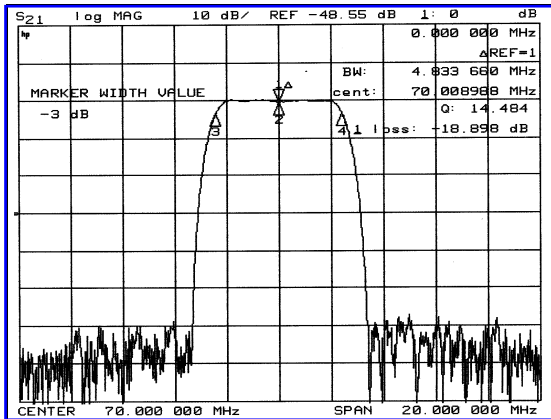


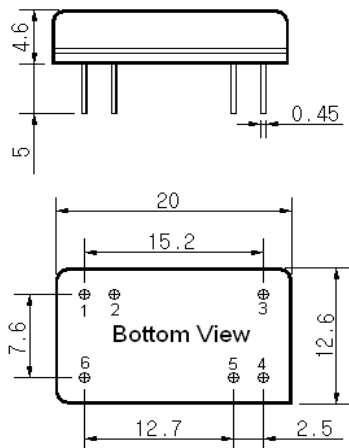
Typical Performance



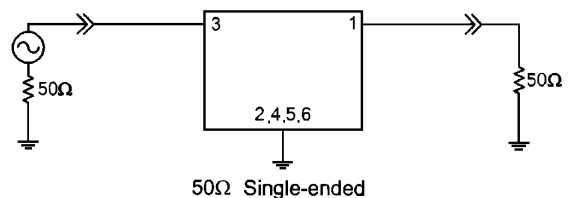
Specification

Parameter	Unit	Min.	Typ.	Max.
Center Frequency	MHz	69.94	70.00	70.06
Insertion Loss	dB	-	19.00	22.00
1dB Bandwidth	MHz	-	4.48	-
3dB Bandwidth	MHz	4.7	4.83	-
40dB Bandwidth	MHz	-	6.45	6.60
Passband Ripple	dB	-	0.65	1.00
Group Delay Variation	nsec	-	100	150
Absolute Delay	µsec	-	2.08	-
Ultimate Attenuation	dB	50	55	
Substrate Material	-	Yz-LiNbO ₃		
Temperature Coefficient	ppm/°C	-94		

Package Dimension



Matching Configuration



No Matching Required
 Source / Load Impedance = 50Ω
 Ambient Temperature = 25°C

Rev0. 080506