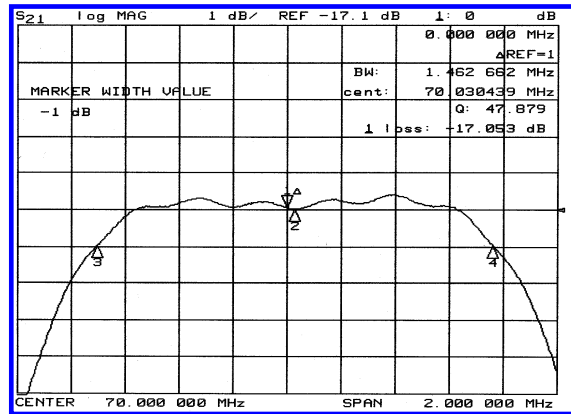
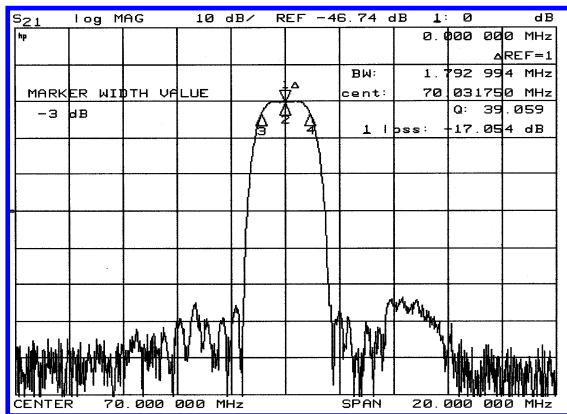


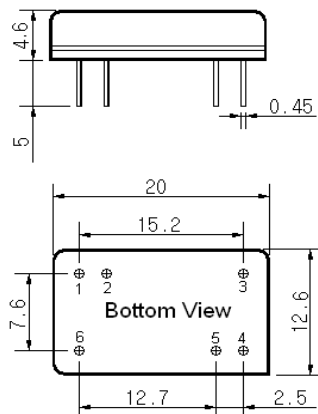
## Typical Performance



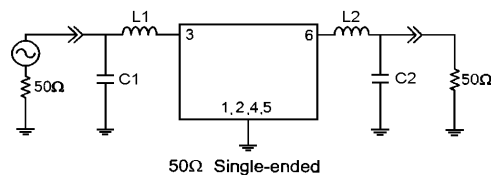
## Specification

Parameter	Unit	Min.	Typ.	Max.
Center Frequency	Mhz	69.94	70.00	70.06
Insertion Loss	dB	-	17.00	19.00
1dB Bandwidth	Mhz	1.30	1.46	-
3dB Bandwidth	Mhz	1.60	1.79	-
40dB Bandwidth	Mhz	-	3.00	3.30
50dB Bandwidth	Mhz	-	3.11	-
Passband Ripple	dB	-	0.45	0.80
Group Delay Variation	nsec	-	100	200
Absolute Delay	µsec	-	1.5	-
Ultimate Attenuation	dB	50	55	
Substrate Material	-	Quartz		
Temperature Coefficient	ppm/°C <sup>2</sup>	-0.03		

## Package Dimension



## Matching Configuration



L1=L2=0.39µH, C1=43pF, C2=56pF  
 Source / Load Impedance = 50Ω  
 Ambient Temperature = 25°C

01/21/2005

