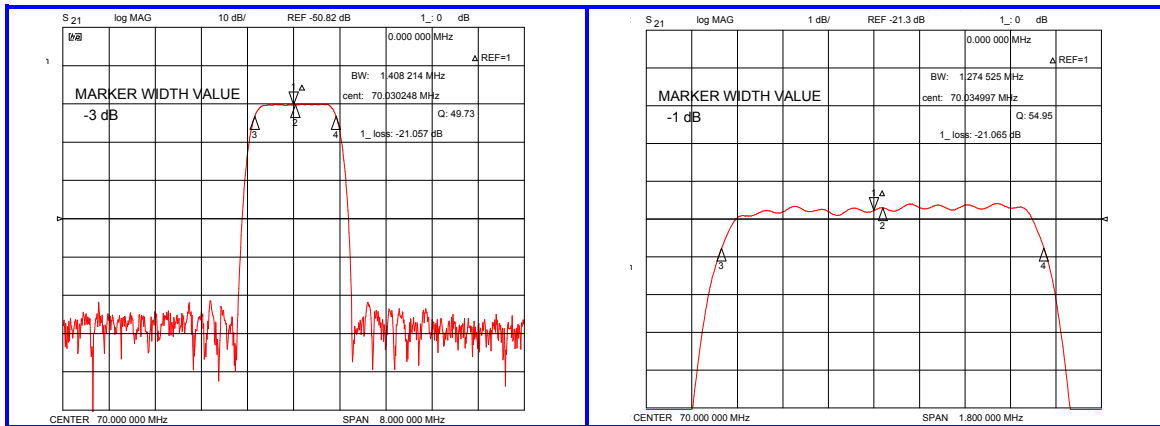


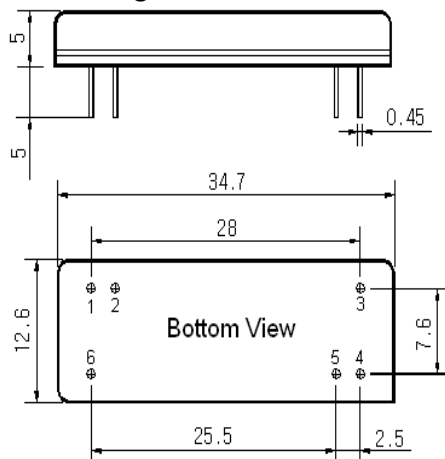
Typical Performance



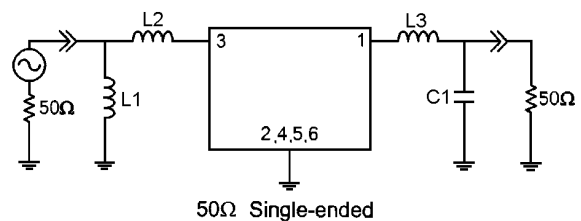
Specification

Parameter	Unit	Min.	Typ.	Max.
Center Frequency	MHz	69.94	70.00	70.06
Insertion Loss	dB	-	21.00	23.00
1dB Bandwidth	MHz	1.23	1.28	-
3dB Bandwidth	MHz	1.30	1.38	-
40dB Bandwidth	MHz	-	1.90	2.00
Passband Ripple ($F_c \pm 0.5\text{MHz}$)	dB	-	0.50	1.00
Group Delay Variation	nsec	-	200	500
Absolute Delay	μsec	-	4.36	-
Ultimate Attenuation	dB	48	53	-
Substrate Material	-	Quartz		
Temperature Coefficient	ppm/ $^{\circ}\text{C}$	-0.03		

Package Dimension



Matching Configuration



L1=56nH, L2=82nH, L3=220nH, C1=75pF
 Source / Load Impedance = 50 Ω
 Ambient Temperature = 25 $^{\circ}\text{C}$

Rev0. 130306

