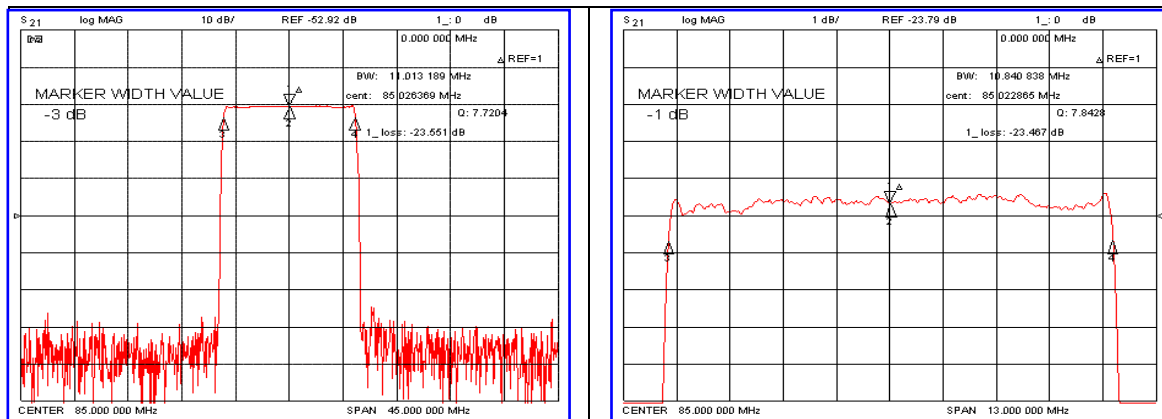


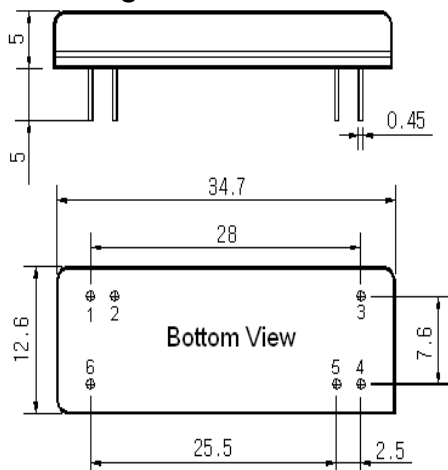
Typical Performance



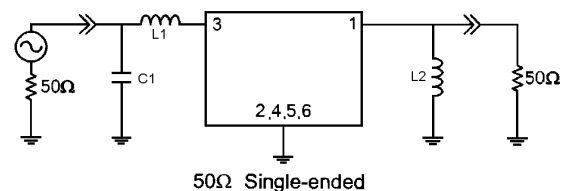
Specification

Parameter	Unit	Min.	Typ.	Max.
Center Frequency	MHz	84.92	85.00	85.08
Insertion Loss	dB	-	23.60	25.00
1dB Bandwidth	MHz	-	10.84	-
3dB Bandwidth	MHz	10.90	11.01	-
40dB Bandwidth	MHz	-	11.75	11.85
Passband Ripple	dB	-	0.65	1.00
Group Delay Variation	nsec	-	110	200
Absolute Delay	μsec	-	3.82	-
Ultimate Attenuation	dB	50	55	-
Substrate Material	-	128-LiNbO ₃		
Temperature Coefficient	ppm/°C	-72		

Package Dimension



Matching Configuration



L1=33nH, L2=150nH, C1=51pF
 Source / Load Impedance = 50Ω
 Ambient Temperature = 25°C

Rev0. 070316

