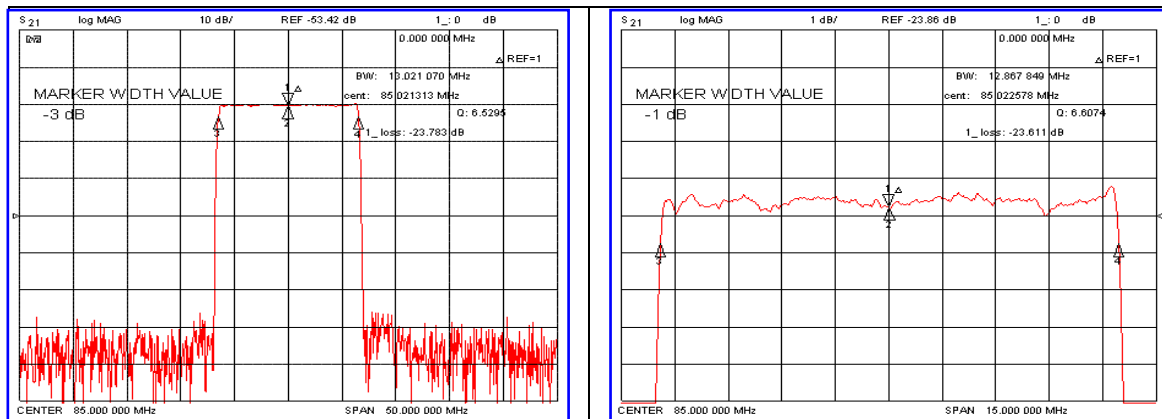


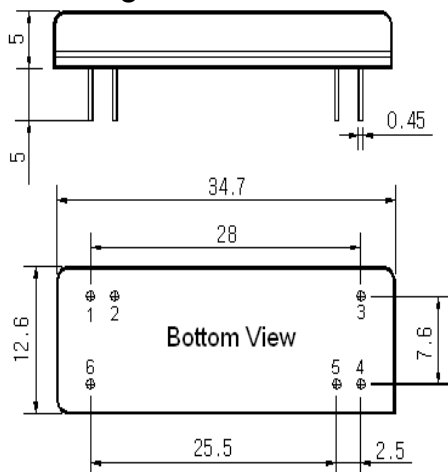
Typical Performance



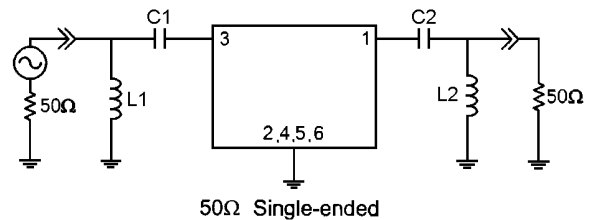
Specification

Parameter	Unit	Min.	Typ.	Max.
Center Frequency	MHz	84.92	85.00	85.08
Insertion Loss	dB	-	23.80	25.00
1dB Bandwidth	MHz	-	12.86	-
3dB Bandwidth	MHz	12.90	13.02	-
40dB Bandwidth	MHz	-	13.75	13.85
Passband Ripple	dB	-	0.70	1.00
Group Delay Variation	nsec	-	80	150
Absolute Delay	μsec	-	3.81	-
Ultimate Attenuation	dB	50	55	-
Substrate Material	-	128-LiNbO ₃		
Temperature Coefficient	ppm/°C	-72		

Package Dimension



Matching Configuration



L1=220nH, L2=270nH, C1=C2=220pF
 Source / Load Impedance = 50Ω
 Ambient Temperature = 25°C

Rev0. 070316

