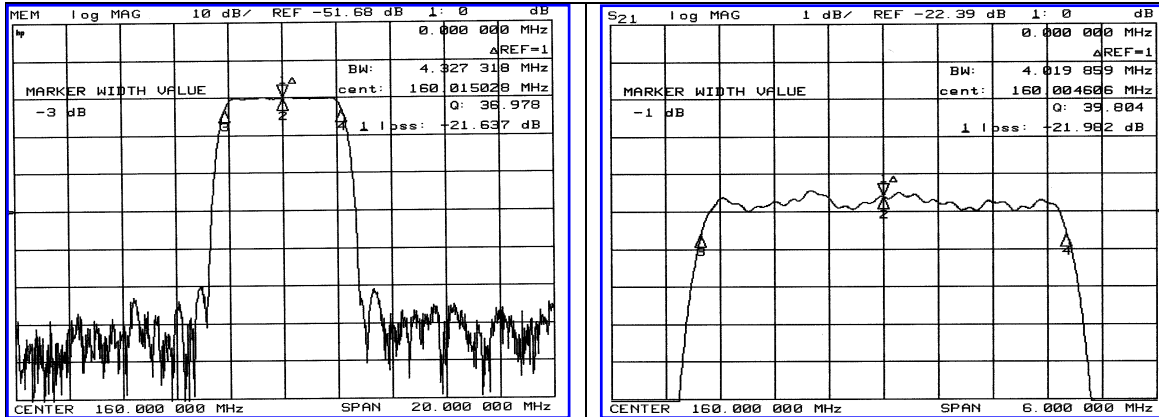


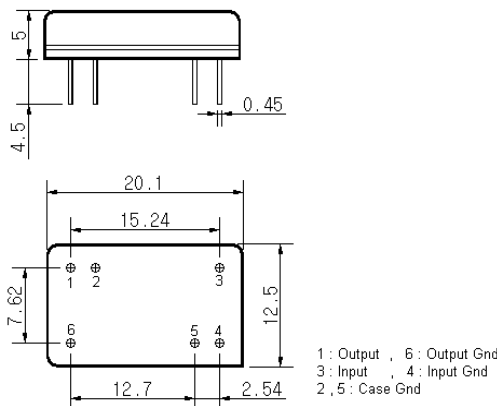
### Typical Performance



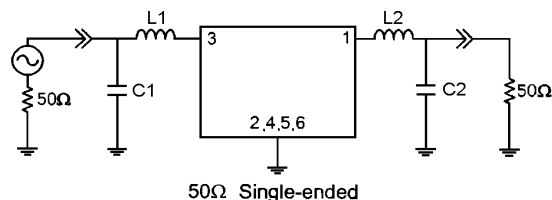
### Specification

Parameter	Unit	Min.	Typ.	Max.
Center Frequency	Mhz	159.85	160.00	160.15
Insertion Loss	dB	-	22.00	23.50
1dB Bandwidth	Mhz	3.90	4.02	-
3dB Bandwidth	Mhz	4.25	4.32	-
10dB Bandwidth	Mhz	-	4.75	4.90
40dB Bandwidth	Mhz	-	5.48	5.70
Passband Ripple (Fo±1.875Mhz)	dB	-	0.55	1.00
Group Delay Variation (Fo±1.875Mhz)	nsec	-	150	250
Absolute Delay	µsec	-	2.6	-
Ultimate Attenuation	dB	45	50	-
Substrate Material	-	Quartz		
Temperature Coefficient	ppm/°C <sup>2</sup>	-0.03		

### Package Dimension



### Matching Configuration



L1 = L2 = 68nH , C1 = C2 = 43pF  
 Source / Load Impedance = 50Ω  
 Ambient Temperature = 25°C

10/19/2004