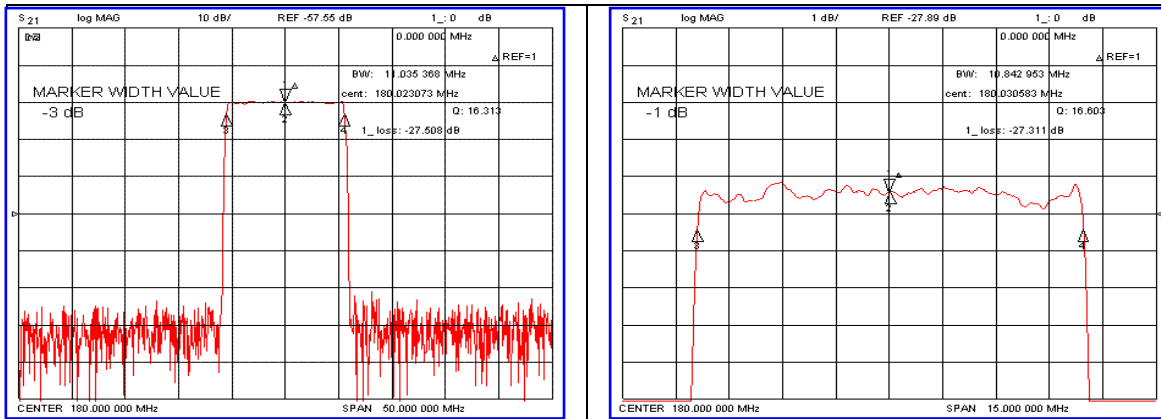


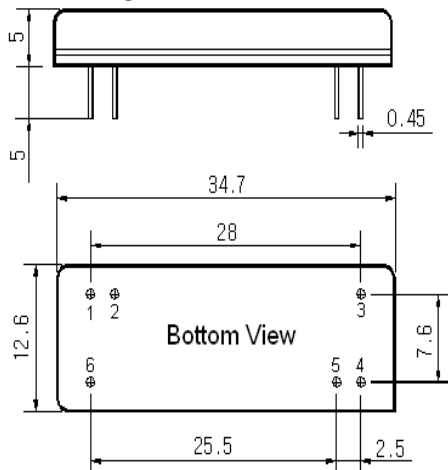
Typical Performance



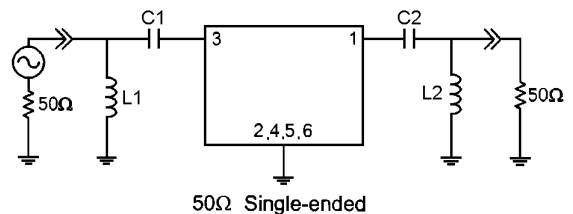
Specification

Parameter	Unit	Min.	Typ.	Max.
Center Frequency	MHz	179.92	180.00	180.08
Insertion Loss	dB	-	28.00	30.00
1dB Bandwidth	MHz	-	12.84	-
3dB Bandwidth	MHz	10.90	11.03	-
40dB Bandwidth	MHz	-	11.83	13.95
Passband Ripple	dB	-	0.80	1.00
Group Delay Variation	nsec	-	100	200
Absolute Delay	μsec	-	4.05	-
Ultimate Attenuation	dB	48	53	-
Substrate Material	-	112-LiTaO ₃		
Temperature Coefficient	ppm/°C	-20		

Package Dimension



Matching Configuration



L1=L2=27nH, C1=C2=56pF
 Source / Load Impedance = 50Ω
 Ambient Temperature = 25°C

Rev0. 070326

