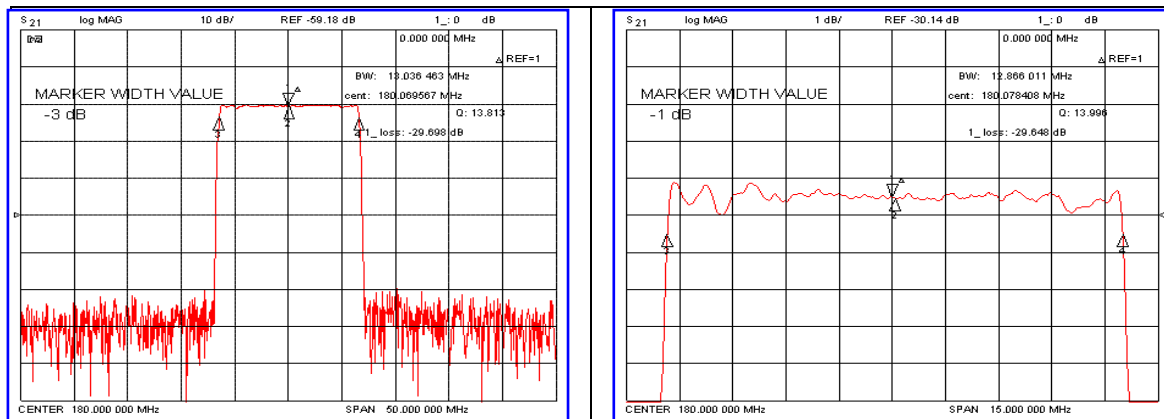


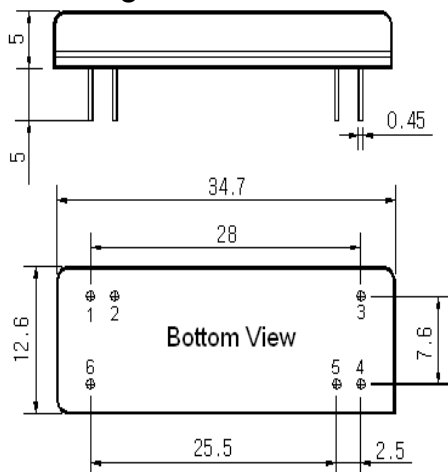
### Typical Performance



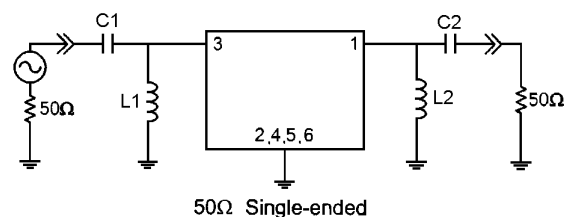
### Specification

Parameter	Unit	Min.	Typ.	Max.
Center Frequency	MHz	179.92	180.00	180.08
Insertion Loss	dB	-	29.80	32.00
1dB Bandwidth	MHz	-	12.86	-
3dB Bandwidth	MHz	12.90	13.03	-
40dB Bandwidth	MHz	-	13.79	13.90
Passband Ripple	dB	-	0.80	1.00
Group Delay Variation	nsec	-	100	200
Absolute Delay	μsec	-	4.00	-
Ultimate Attenuation	dB	48	53	-
Substrate Material	-	112-LiTaO <sub>3</sub>		
Temperature Coefficient	ppm/°C	-20		

### Package Dimension



### Matching Configuration



L1=L2=22nH, C1=51pF, C2=82pF  
 Source / Load Impedance = 50Ω  
 Ambient Temperature = 25°C

Rev0. 070316

