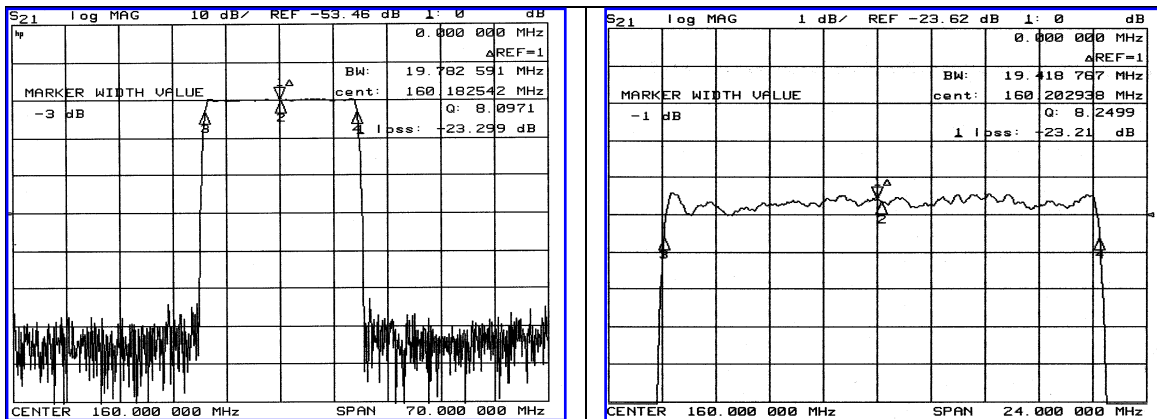


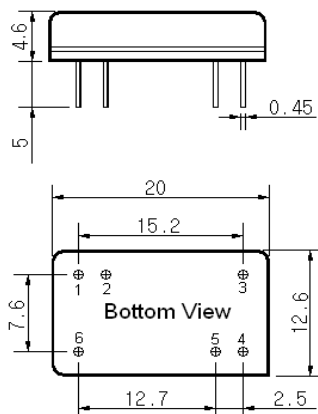
Typical Performance



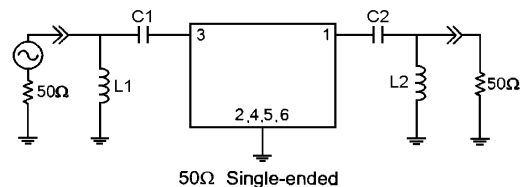
Specification

| Parameter | Unit | Min. | Typ. | Max. |
|-------------------------|--------|------------------------|--------|--------|
| Center Frequency | MHz | 160.00 | 160.20 | 160.40 |
| Insertion Loss | dB | - | 23.50 | 25.00 |
| 1dB Bandwidth | MHz | 19.30 | 19.41 | - |
| 3dB Bandwidth | MHz | 19.65 | 19.78 | - |
| 40dB Bandwidth | MHz | - | 21.29 | 21.50 |
| 50dB Bandwidth | MHz | - | 21.44 | - |
| Passband Ripple | dB | - | 0.65 | 1.00 |
| Group Delay Variation | nsec | - | 50 | 100 |
| Absolute Delay | µsec | - | 2.0 | - |
| Ultimate Attenuation | dB | 50 | 55 | - |
| Substrate Material | - | 128-LiNbO ₃ | | |
| Temperature Coefficient | ppm/°C | -72 | | |

Package Dimension



Matching Configuration



L1 = L2 = 56nH, C1 = C2 = 75pF
 Source / Load Impedance = 50Ω
 Ambient Temperature = 25°C

12/10/2004

