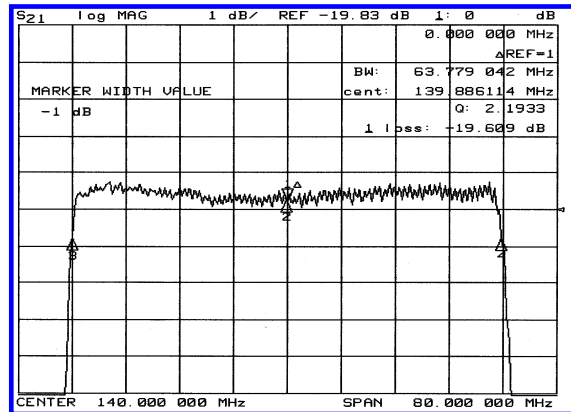
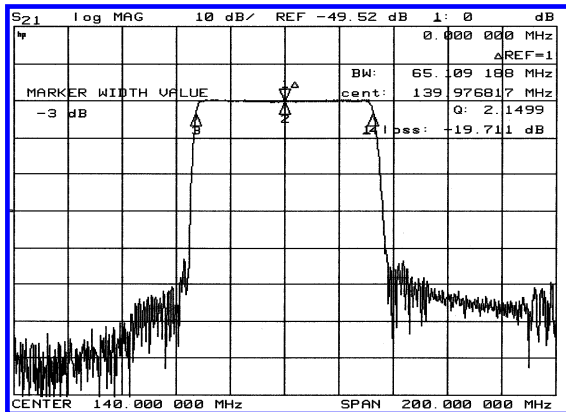


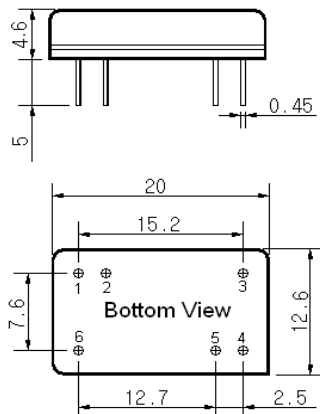
## Typical Performance



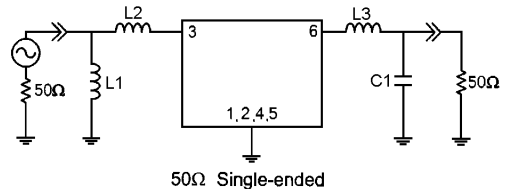
## Specification

Parameter	Unit	Min.	Typ.	Max.
Center Frequency	Mhz	139.80	140.00	140.20
Insertion Loss	dB	-	20.00	22.00
1dB Bandwidth	Mhz	63.30	63.78	-
3dB Bandwidth	Mhz	64.50	65.10	-
40dB Bandwidth	Mhz	-	72.00	72.50
50dB Bandwidth	Mhz	-	-	-
Passband Ripple	dB	-	0.85	1.50
Group Delay Variation	nsec	-	20	50
Absolute Delay	µsec	-	0.7	-
Ultimate Attenuation	dB	40	50	-
Substrate Material	-	YZ-LiNbO <sub>3</sub>		
Temperature Coefficient	ppm/°C	-94		

## Package Dimension



## Matching Configuration



L1=27nH, L2=1.5nH, L3=27nH, C1=43pF  
 Source / Load Impedance = 50Ω  
 Ambient Temperature = 25°C

01/05/2005

