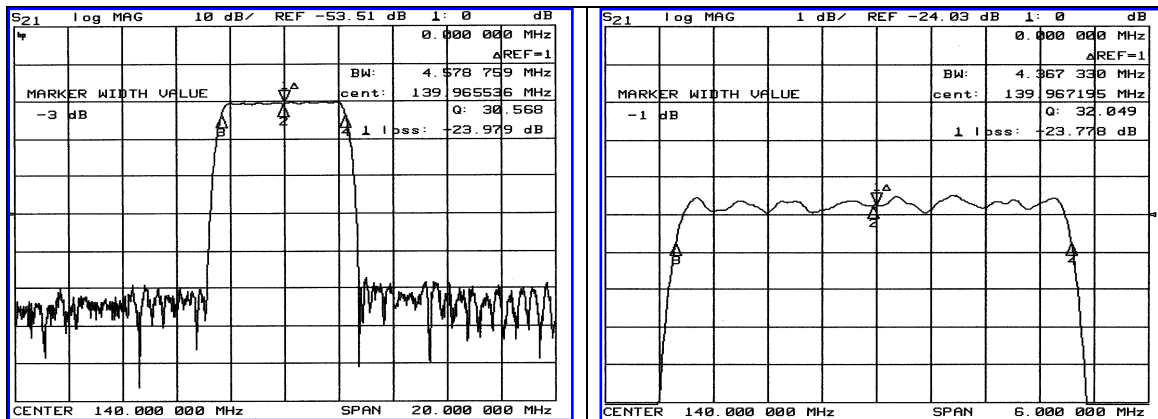


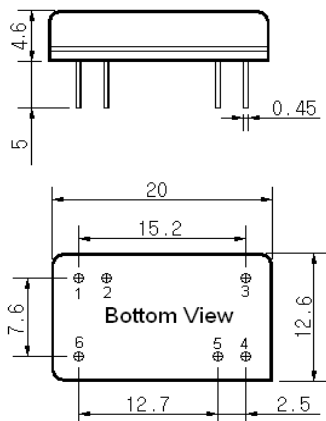
### Typical Performance



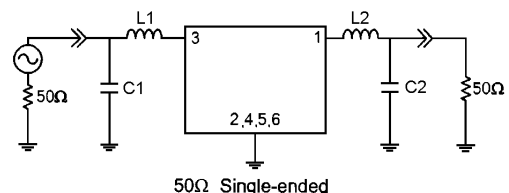
### Specification

Parameter	Unit	Min.	Typ.	Max.
Center Frequency	Mhz	139.90	140.00	140.10
Insertion Loss	dB	-	24.00	25.50
1dB Bandwidth	Mhz	4.25	4.36	-
3dB Bandwidth	Mhz	4.45	4.57	-
40dB Bandwidth	Mhz	-	5.51	5.80
50dB Bandwidth	Mhz	-	-	-
Passband Ripple	dB	-	0.55	1.00
Group Delay Variation	nsec	-	100	200
Absolute Delay	µsec	-	2.3	-
Ultimate Attenuation	dB	45	50	-
Substrate Material	-	Quartz		
Temperature Coefficient	ppm/°C°	-0.03		

### Package Dimension



### Matching Configuration



L1=72nH, L2=100nH, C1=68pF, C2=30pF  
 Source / Load Impedance = 50Ω  
 Ambient Temperature = 25°C

02/21/2005