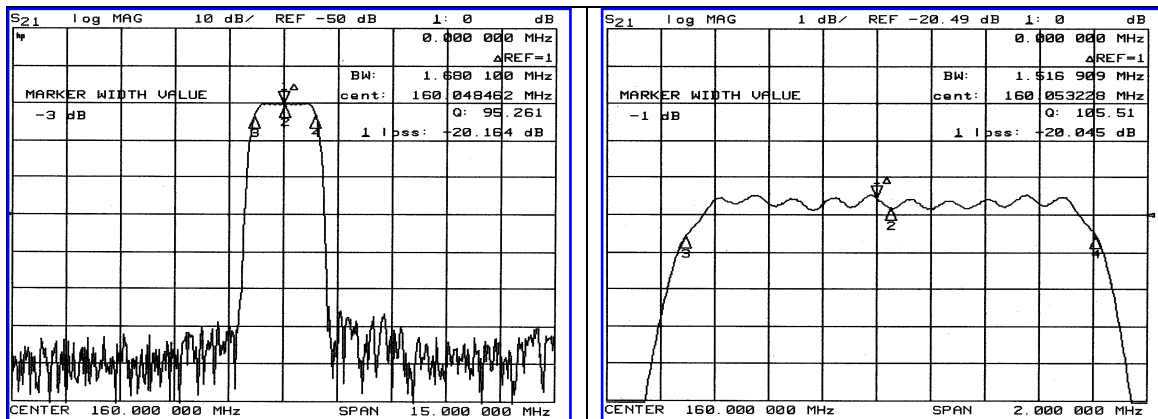


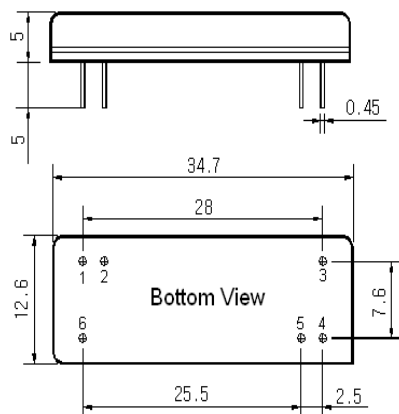
### Typical Performance



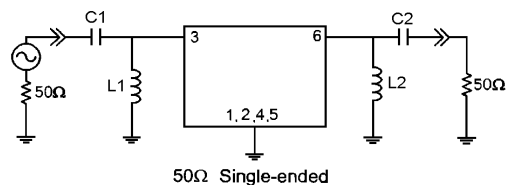
### Specification

Parameter	Unit	Min.	Typ.	Max.
Center Frequency	Mhz	159.90	160.00	160.10
Insertion Loss	dB	-	20.50	22.00
1dB Bandwidth	Mhz	1.40	1.51	-
3dB Bandwidth	Mhz	1.50	1.67	-
40dB Bandwidth	Mhz	-	2.28	2.40
50dB Bandwidth	Mhz	-	2.33	-
Passband Ripple	dB	-	0.55	1.00
Group Delay Variation	nsec	-	100	200
Absolute Delay	µsec	-	3.5	-
Ultimate Attenuation	dB	50	60	-
Substrate Material	-	Quartz		
Temperature Coefficient	ppm/°C <sup>2</sup>	-0.03		

### Package Dimension



### Matching Configuration



L1=33nH, L2=8.2nH, C1=82pF, C2=100pF  
 Source / Load Impedance = 50Ω  
 Ambient Temperature = 25°C

12/09/2004

