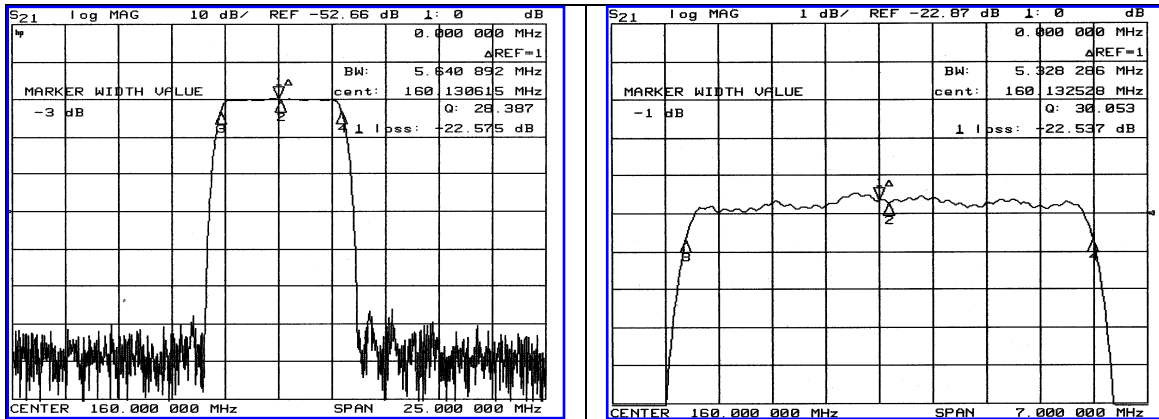


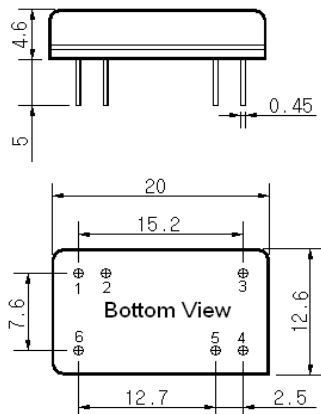
Typical Performance



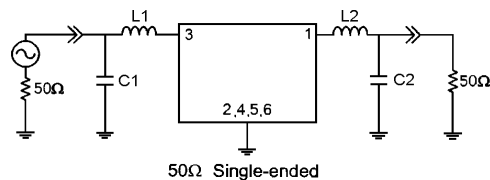
Specification

Parameter	Unit	Min.	Typ.	Max.
Center Frequency	MHz	159.80	160.00	160.20
Insertion Loss	dB	-	23.00	24.50
1dB Bandwidth	MHz	-	5.32	-
3dB Bandwidth	MHz	5.50	5.64	-
40dB Bandwidth	MHz	-	5.90	6.30
Passband Ripple	dB	-	0.55	1.00
Group Delay Variation	nsec	-	80	150
Absolute Delay	µsec	-	3.0	-
Ultimate Attenuation	dB	50	60	
Substrate Material	-	LiTaO ₃		
Temperature Coefficient	ppm/°C	-20		

Package Dimension



Matching Configuration



L1=L2=27nH, C1=33pF, C2=30pF
 Source / Load Impedance = 50Ω
 Ambient Temperature = 25°C

06/01/2004