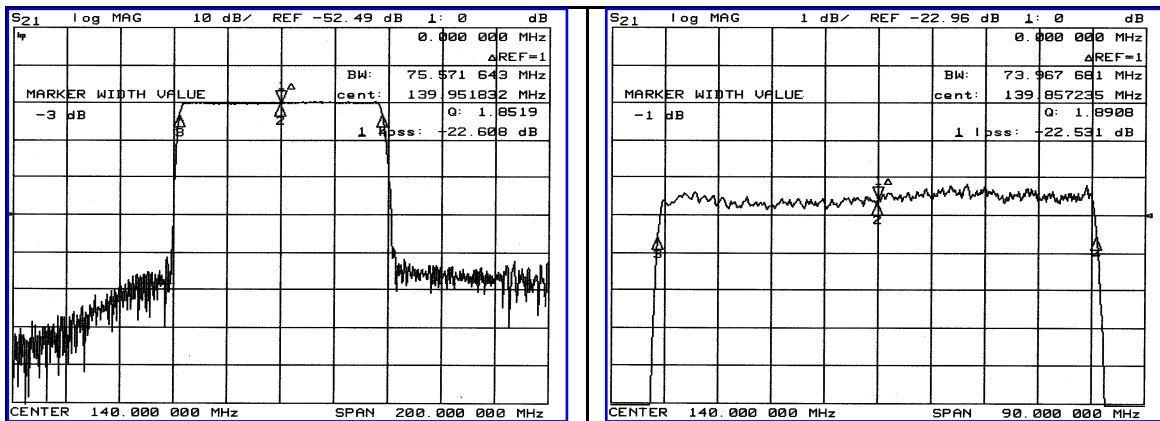


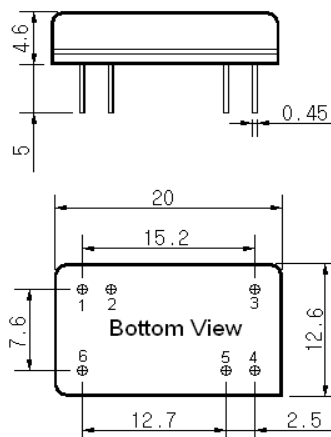
### Typical Performance



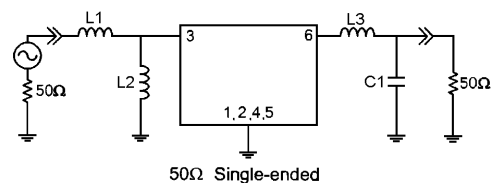
### Specification7

Parameter	Unit	Min.	Typ.	Max.
Center Frequency	MHz	139.80	140.00	140.20
Insertion Loss	dB	-	23.00	25.00
1dB Bandwidth	MHz	-	73.96	-
3dB Bandwidth	MHz	75.00	75.57	-
40dB Bandwidth	MHz	-	82.11	85.00
Passband Ripple	dB	-	0.65	1.00
Group Delay Variation	nsec	-	50	100
Absolute Delay	μsec	-	0.70	-
Ultimate Attenuation	dB	40	43	-
Operating Temp. Range	°C	-20	+25	+70
Substrate Material	-	YZ-LiNbO <sub>3</sub>		
Temperature Coefficient	ppm/°C	-86		

### Package Dimension



### Matching Configuration



L1=1.5nH, L2=39nH, L3=27nH, C1=27pF  
 Source / Load Impedance = 50Ω  
 Ambient Temperature = 25°C

08/25/2005

