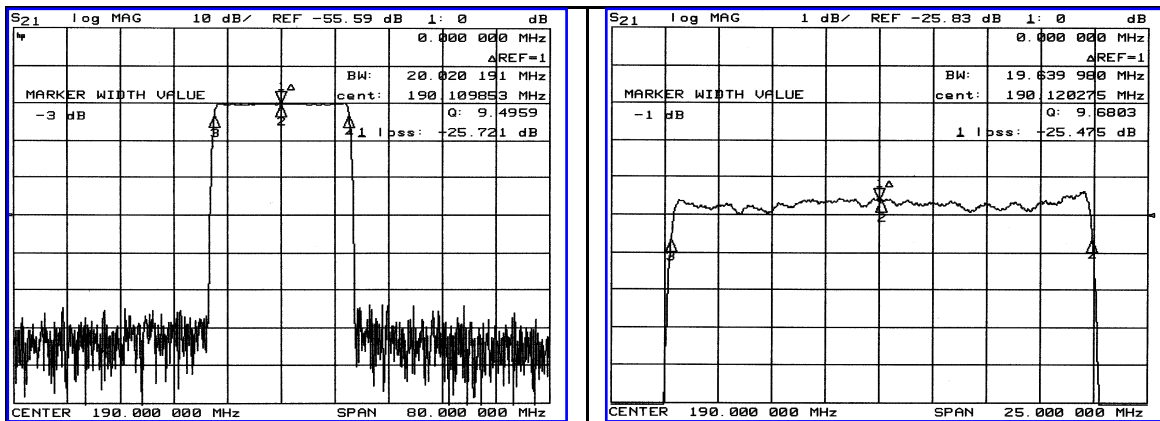


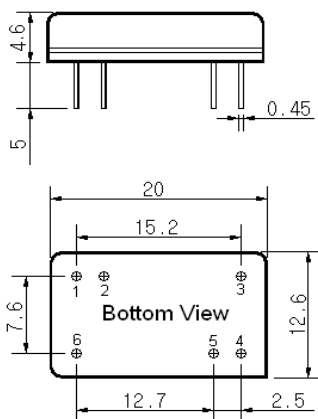
Typical Performance



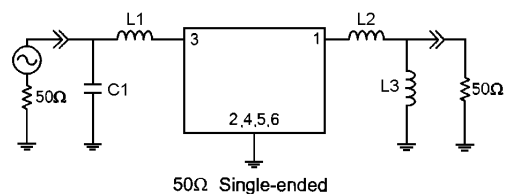
Specification

Parameter	Unit	Min.	Typ.	Max.
Center Frequency	MHz	189.80	190.00	190.20
Insertion Loss	dB	-	26.00	28.00
1dB Bandwidth	MHz	-	19.63	-
3dB Bandwidth	MHz	19.80	20.02	-
40dB Bandwidth	MHz	-	21.54	21.80
Passband Ripple	dB	-	0.70	1.00
Group Delay Variation	nsec	-	50	100
Absolute Delay	μsec	-	2.17	-
Ultimate Attenuation	dB	48	53	-
Substrate Material	-	LiTaO ₃		
Temperature Coefficient	ppm/°C	-23		

Package Dimension



Matching Configuration



L1=33nH , L2=5.6nH, L3=15nH, C1=36pF
 Source / Load Impedance = 50Ω
 Ambient Temperature = 25°C

11/12/2005

