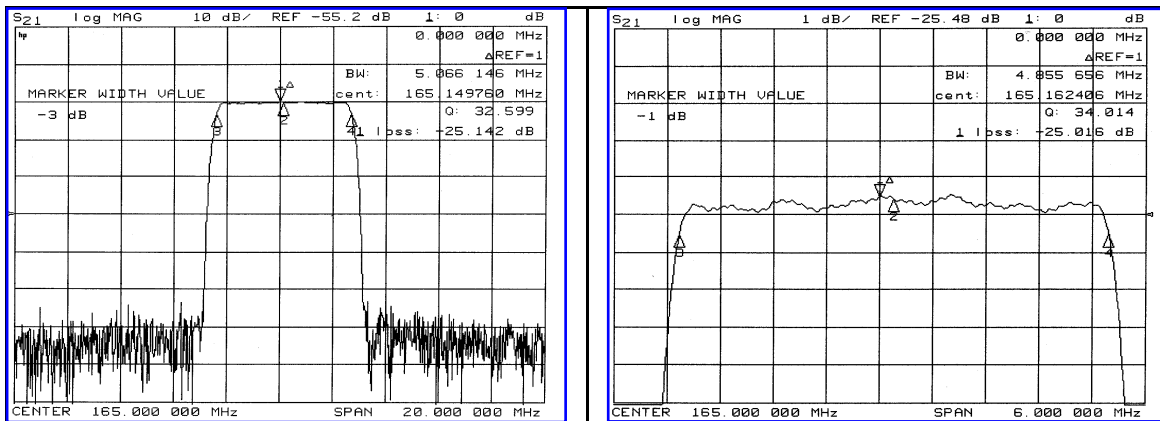


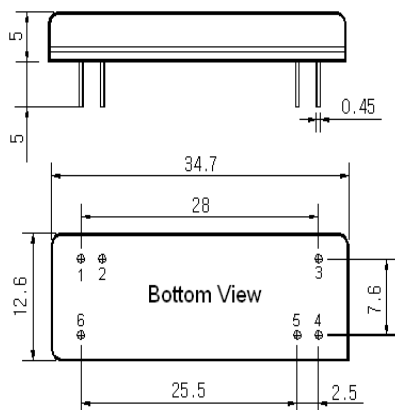
### Typical Performance



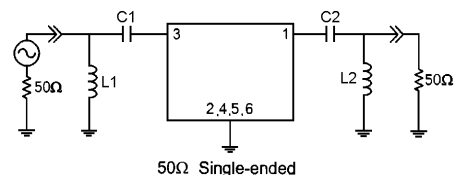
### Specification

Parameter	Unit	Min.	Typ.	Max.
Center Frequency	MHz	164.80	165.00	165.20
Insertion Loss	dB	-	25.50	27.00
1dB Bandwidth	MHz	-	4.85	-
3dB Bandwidth	MHz	5.00	5.06	-
40dB Bandwidth	MHz	-	5.90	6.30
Passband Ripple	dB	-	0.55	1.00
Group Delay Variation	nsec	-	80	150
Absolute Delay	μsec	-	4.47	-
Ultimate Attenuation	dB	50	55	-
Substrate Material	-	LiTaO <sub>3</sub>		
Temperature Coefficient	ppm/°C	-20		

### Package Dimension



### Matching Configuration



L1=39nH, L2=59nH, C1=82pF, C2=51pF  
 Source / Load Impedance = 50Ω  
 Ambient Temperature = 25°C

01/04/2006

