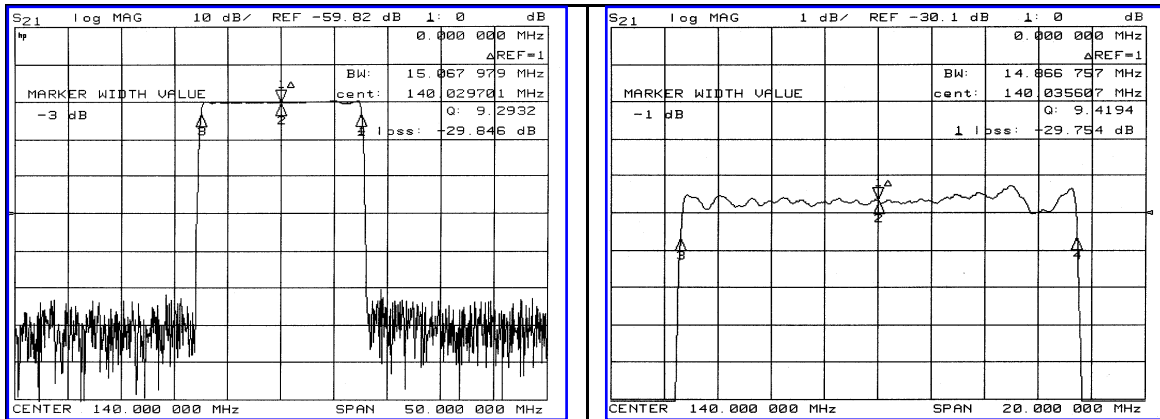


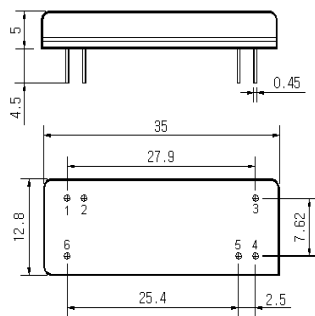
Typical Performance



Specification

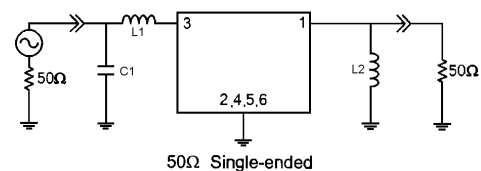
Parameter	Unit	Min.	Typ.	Max.
Center Frequency	MHz	139.85	140.00	140.15
Insertion Loss	dB	-	29.80	31.00
3dB Bandwidth	MHz	-	15.06	-
Passband Ripple	dB	-	0.75	1.00
Group Delay Variation	nsec	-	80	150
Absolute Delay	µsec	-	4.23	-
Attenuation referred to the 3dB				
± 200 KHz	dB	8.0	9.5	-
± 400 KHz	dB	28.0	30.0	-
± 600 KHz	dB	45.0	55.0	-
± 1 MHz	dB	50.0	55.0	-
Substrate Material	-	LiTaO ₃		
Temperature Coefficient	ppm/°C	-20		

Package Dimension



1: Output, 6: Output Gnd
 3: Input, 4: Input Gnd
 2, 5: Case Gnd

Matching Configuration



L1=47nH, L2=22nH, C1=47pF
 Source / Load Impedance = 50Ω
 Ambient Temperature = 25°C

12/03/2005

