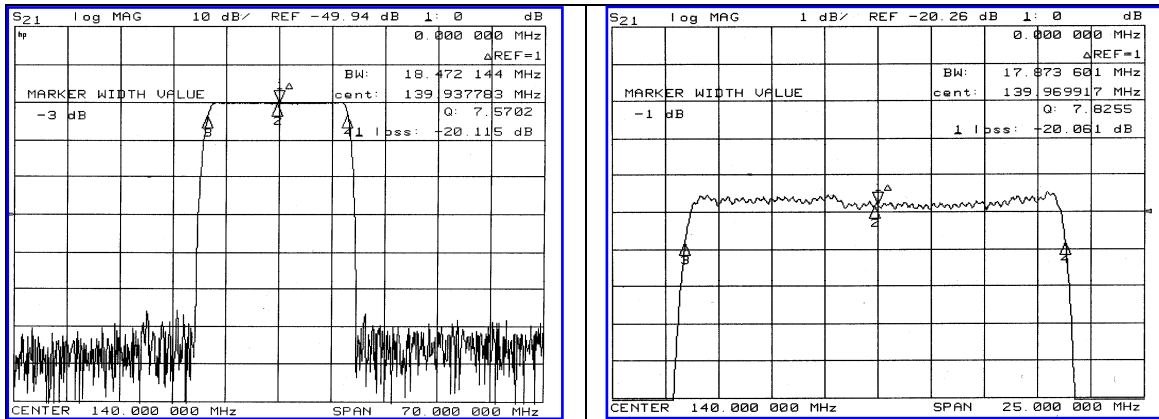


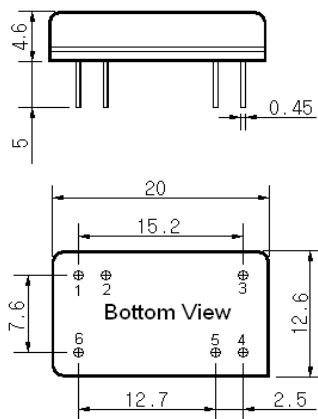
### Typical Performance



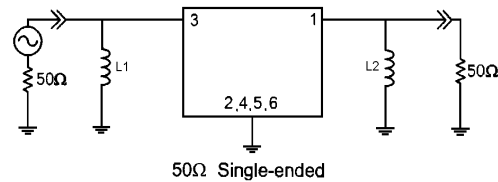
### Specification

Parameter	Unit	Min.	Typ.	Max.
Center Frequency	MHz	139.85	140.00	140.15
Insertion Loss	dB	-	20.00	22.00
1dB Bandwidth	MHz	-	17.87	-
3dB Bandwidth	MHz	18.00	18.47	-
40dB Bandwidth	MHz	-	21.00	21.50
Passband Ripple	dB	-	0.55	1.00
Group Delay Variation	nsec	-	50	100
Absolute Delay	µsec	-	1.50	-
Ultimate Attenuation	dB	50	55	-
Substrate Material	-	128-LiNbO <sub>3</sub>		
Temperature Coefficient	ppm/°C	-72		

### Package Dimension



### Matching Configuration



L1=100nH, L2=150nH  
 Source / Load Impedance = 50Ω  
 Ambient Temperature = 25°C

01/10/2006

