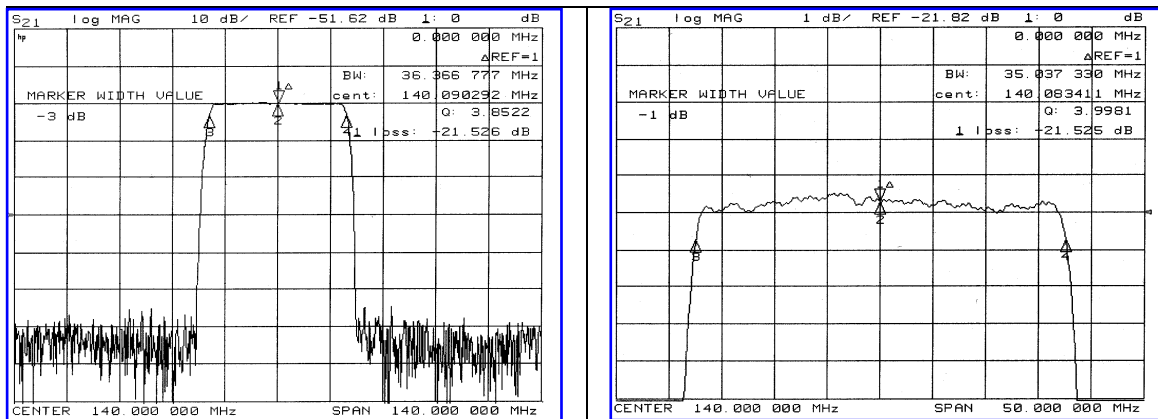


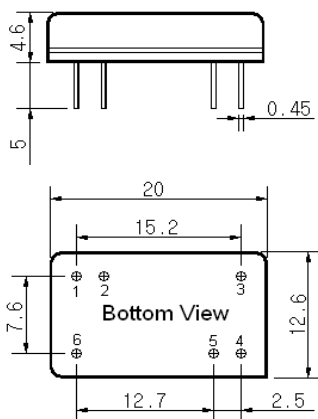
Typical Performance



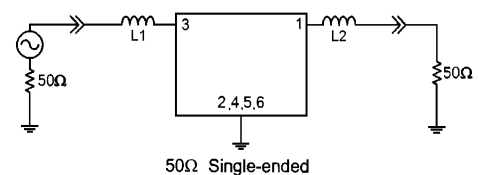
Specification

Parameter	Unit	Min.	Typ.	Max.
Center Frequency	MHz	139.80	140.00	140.20
Insertion Loss	dB	-	22.00	24.00
1dB Bandwidth	MHz	-	35.03	-
3dB Bandwidth	MHz	36.00	36.36	-
40dB Bandwidth	MHz	-	41.52	43.00
Passband Ripple	dB	-	0.55	1.00
Group Delay Variation	nsec	-	50	100
Absolute Delay	µsec	-	0.86	-
Ultimate Attenuation	dB	50	55	-
Substrate Material	-	128-LiNbO ₃		
Temperature Coefficient	ppm/°C ²	-72		

Package Dimension



Matching Configuration



L1=56nH, L2=68nH
 Source / Load Impedance = 50Ω
 Ambient Temperature = 25°C

02/15/2006

