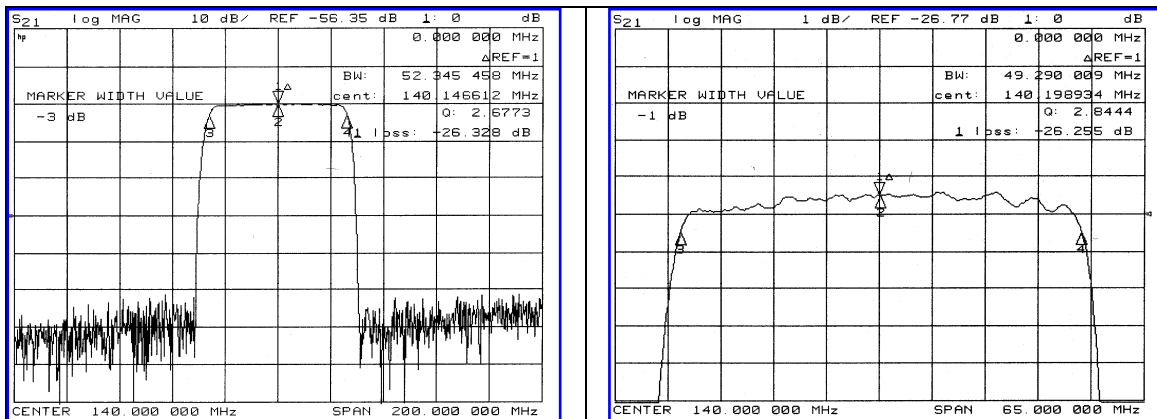


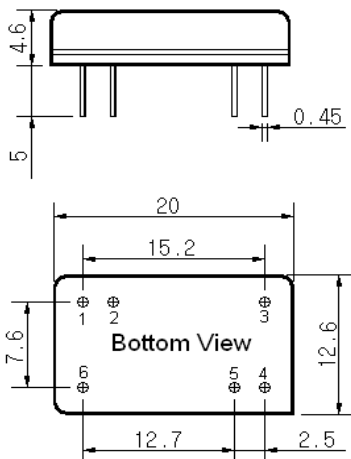
### Typical Performance



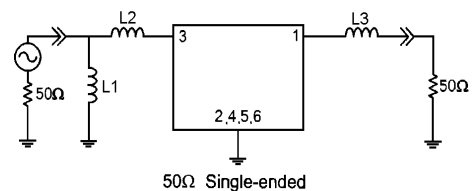
### Specification

Parameter	Unit	Min.	Typ.	Max.
Center Frequency	MHz	139.80	140.00	140.20
Insertion Loss	dB	-	26.50	27.50
1dB Bandwidth	MHz	-	49.29	-
3dB Bandwidth	MHz	52.00	52.32	-
40dB Bandwidth	MHz	-	61.05	63.00
Passband Ripple	dB	-	0.65	1.00
Group Delay Variation	nsec	-	50	100
Absolute Delay	µsec	-	0.68	-
Ultimate Attenuation	dB	50	55	-
Substrate Material	-	128-LiNbO <sub>3</sub>		
Temperature Coefficient	ppm/°C <sup>2</sup>	-72		

### Package Dimension



### Matching Configuration



L1=220nH, L2=82nH, L3=27nH  
 Source / Load Impedance = 50Ω  
 Ambient Temperature = 25°C

02/15/2006

