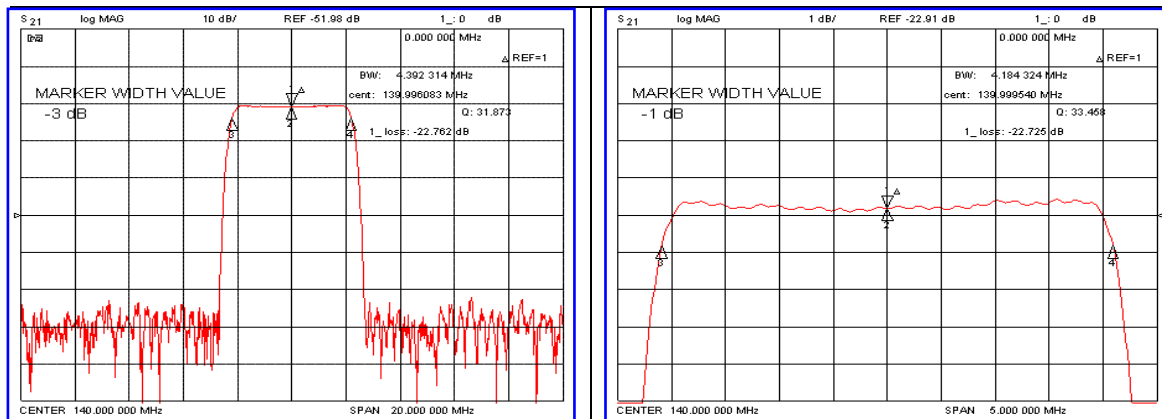


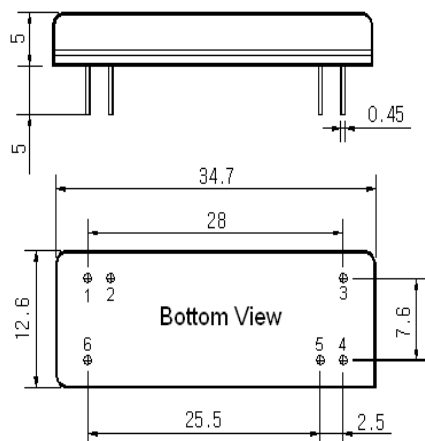
Typical Performance



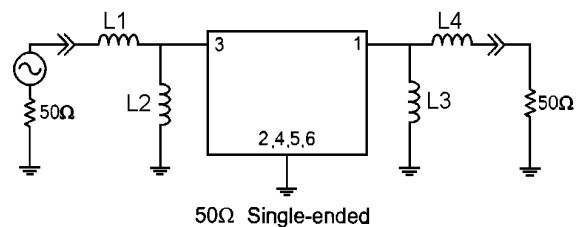
Specification

Parameter	Unit	Min.	Typ.	Max.
Center Frequency	MHz	139.90	140.00	140.10
Insertion Loss	dB	-	22.80	25.00
1dB Bandwidth	MHz	-	4.18	-
3dB Bandwidth	MHz	4.20	4.39	-
40dB Bandwidth	MHz	-	5.22	5.50
Passband Ripple	dB	-	0.55	1.00
Group Delay Variation	nsec	-	80	150
Absolute Delay	μsec	-	2.74	-
Ultimate Attenuation	dB	50	53	-
Substrate Material	-	Quartz		
Temperature Coefficient	ppm/°C ²	-0.03		

Package Dimension



Matching Configuration



L1=L4=120nH, L2=68nH, L3=82nH
 Source / Load Impedance = 50Ω
 Ambient Temperature = 25°C

10/01/2006

