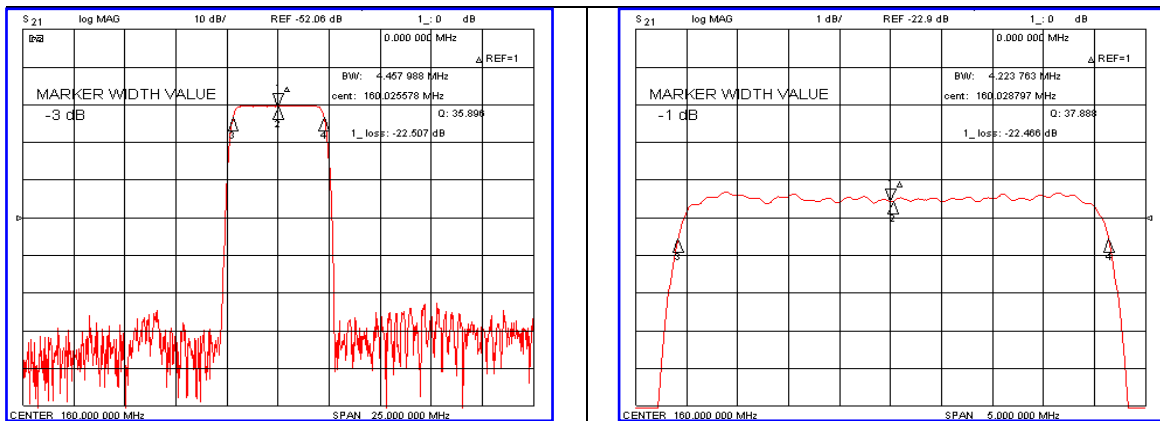


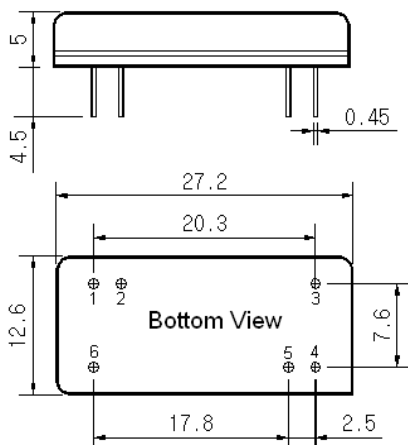
Typical Performance



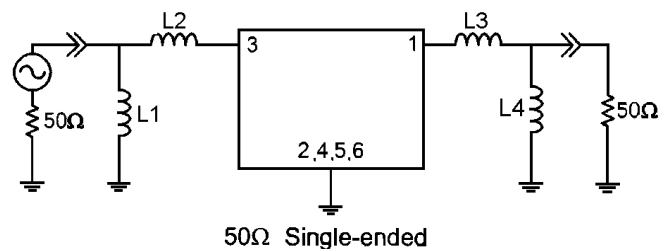
Specification

Parameter	Unit	Min.	Typ.	Max.
Center Frequency	MHz	159.90	160.00	160.10
Insertion Loss	dB	-	22.50	24.00
1dB Bandwidth	MHz	-	4.22	-
3dB Bandwidth	MHz	4.20	4.45	-
40dB Bandwidth	MHz	-	5.35	5.50
Passband Ripple	dB	-	0.45	1.00
Group Delay Variation	nsec	-	100	200
Absolute Delay	µsec	-	2.88	-
Ultimate Attenuation	dB	50	55	-
Substrate Material	-	Quartz		
Temperature Coefficient	Ppm/°C	-0.03		

Package Dimension



Matching Configuration



L1=12nH, L2=10nH, L3=15nH, L4=18nH
 Source / Load Impedance = 50Ω
 Ambient Temperature = 25°C

Rev.0 090915

