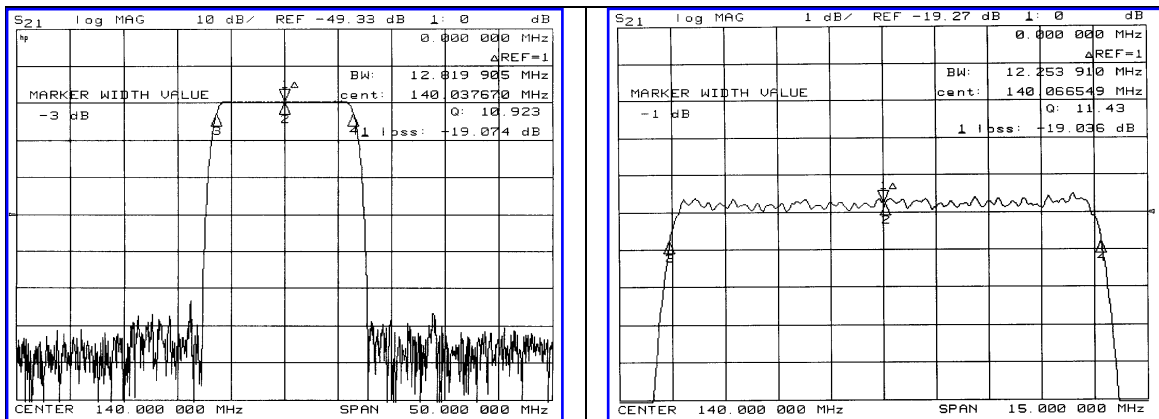


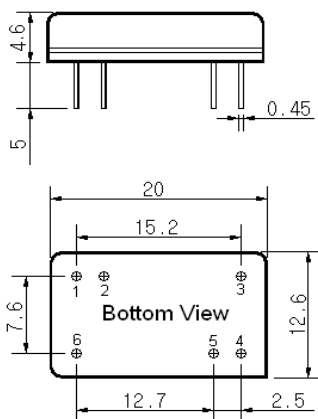
Typical Performance



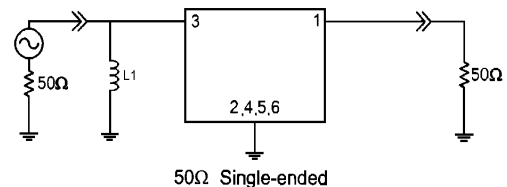
Specification

Parameter	Unit	Min.	Typ.	Max.
Center Frequency	MHz	139.85	140.00	140.15
Insertion Loss	dB	-	20.00	22.00
1dB Bandwidth	MHz	-	12.25	-
3dB Bandwidth	MHz	12.50	12.81	-
40dB Bandwidth	MHz	-	15.12	15.50
Passband Ripple	dB	-	0.55	1.00
Group Delay Variation	nsec	-	100	200
Absolute Delay	µsec	-	1.44	-
Ultimate Attenuation	dB	50	55	-
Substrate Material	-	YZ-LiNbO ₃		
Temperature Coefficient	ppm/°C	-94		

Package Dimension



Matching Configuration



L1=82nH
 Source / Load Impedance = 50Ω
 Ambient Temperature = 25°C

03/16/2006

