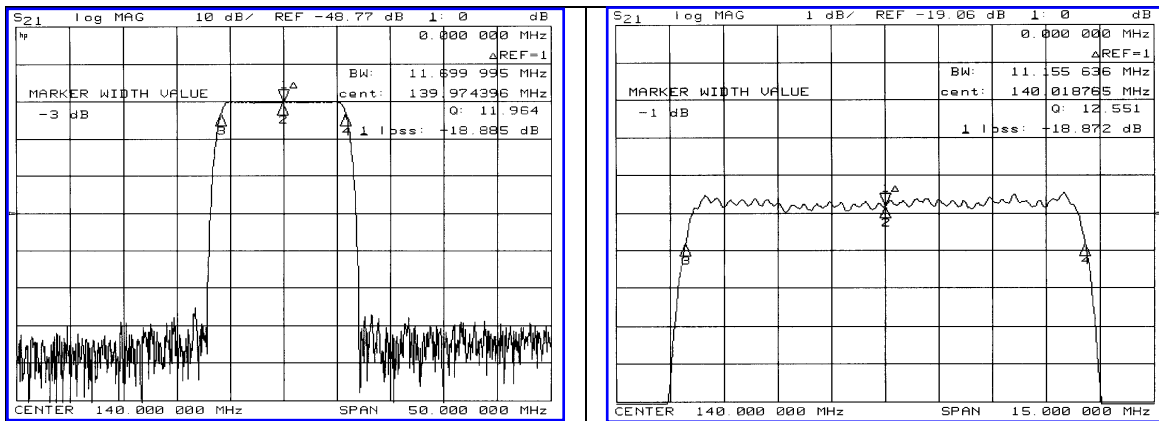


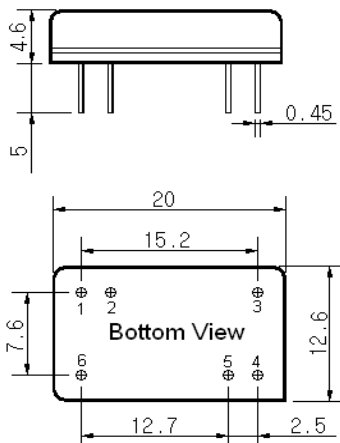
Typical Performance



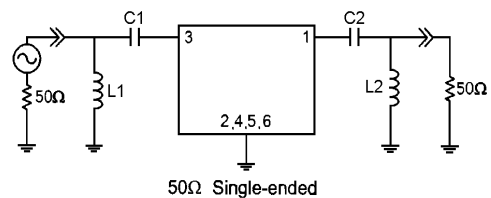
Specification

Parameter	Unit	Min.	Typ.	Max.
Center Frequency	MHz	139.85	140.00	140.15
Insertion Loss	dB	-	19.00	21.50
1dB Bandwidth	MHz	-	11.15	-
3dB Bandwidth	MHz	11.00	11.69	-
40dB Bandwidth	MHz	-	13.93	14.30
Passband Ripple	dB	-	0.55	1.00
Group Delay Variation	nsec	-	100	200
Absolute Delay	µsec	-	1.44	-
Ultimate Attenuation	dB	50	55	-
Substrate Material	-	YZ-LiNbO ₃		
Temperature Coefficient	ppm/°C	-94		

Package Dimension



Matching Configuration



L1=120nH, L2=150nH, C1=100pF, C2=75pF
 Source / Load Impedance = 50Ω
 Ambient Temperature = 25°C

03/29/2006

