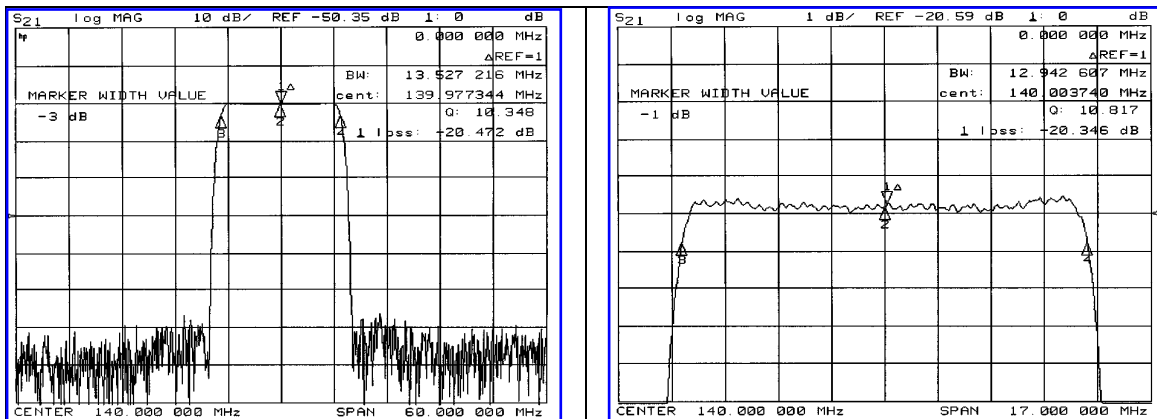


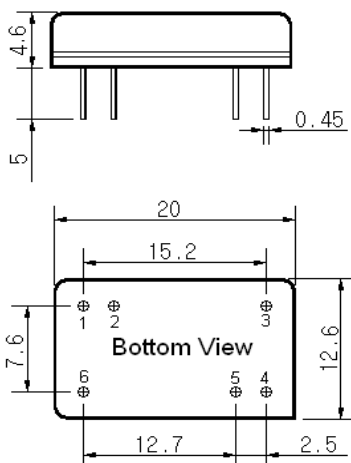
### Typical Performance



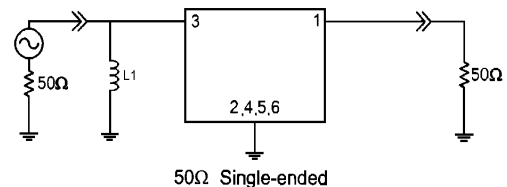
### Specification

Parameter	Unit	Min.	Typ.	Max.
Center Frequency	MHz	139.85	140.00	140.15
Insertion Loss	dB	-	20.50	22.00
1dB Bandwidth	MHz	-	12.94	-
3dB Bandwidth	MHz	13.00	13.52	-
40dB Bandwidth	MHz	-	15.73	16.30
Passband Ripple	dB	-	0.55	1.00
Group Delay Variation	nsec	-	65	150
Absolute Delay	µsec	-	1.44	-
Ultimate Attenuation	dB	50	55	-
Substrate Material	-	YZ-LiNbO <sub>3</sub>		
Temperature Coefficient	ppm/°C	-94		

### Package Dimension



### Matching Configuration



L1=120nH  
 Source / Load Impedance = 50Ω  
 Ambient Temperature = 25°C

03/29/2006

