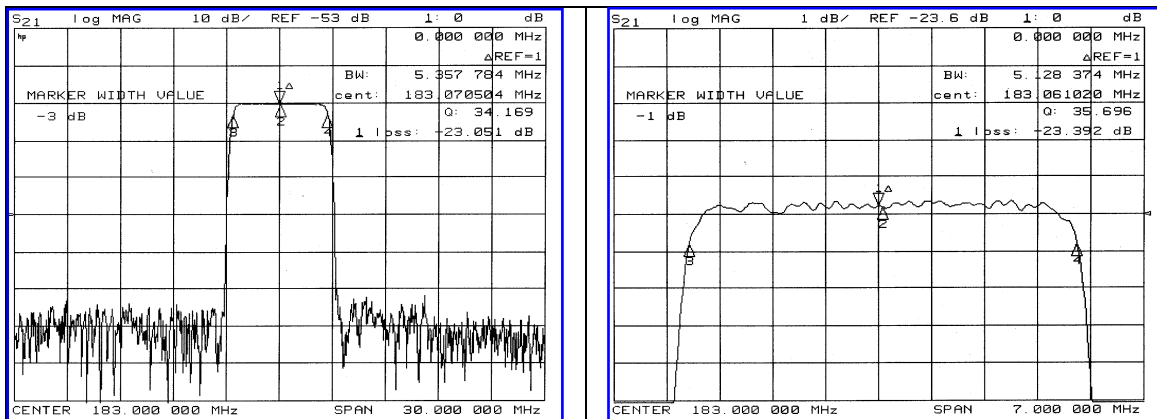


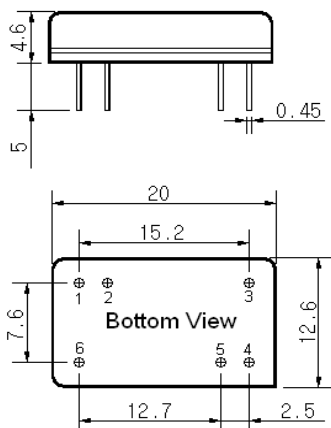
Typical Performance



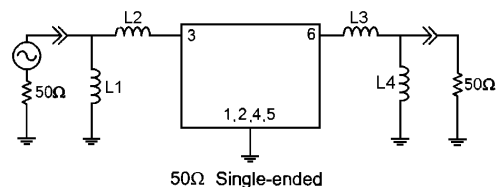
Specification

Parameter	Unit	Min.	Typ.	Max.
Center Frequency (Fc)	MHz	-	183.00	-
Insertion Loss	dB	-	23.00	24.50
1dB Bandwidth	MHz	-	5.12	-
3dB Bandwidth	MHz	5.20	5.35	-
10dB Bandwidth	MHz	-	5.70	-
40dB Bandwidth	MHz	-	6.20	6.50
Passband Ripple (Fc±2.4Mhz)	dB	-	0.70	1.00
Group Delay Variation (Fc±2.4Mhz)	nsec	-	100	200
Absolute Delay	µsec	-	2.57	-
Ultimate Attenuation	dB	48	52	-
Substrate Material	-	Quartz		
Temperature Coefficient	ppm/°C ²	-0.03		

Package Dimension



Matching Configuration



L1=18nH, L2=22nH, L3=15nH, L4=10nH
 Source / Load Impedance = 50Ω
 Ambient Temperature = 25°C

02/06/2006

