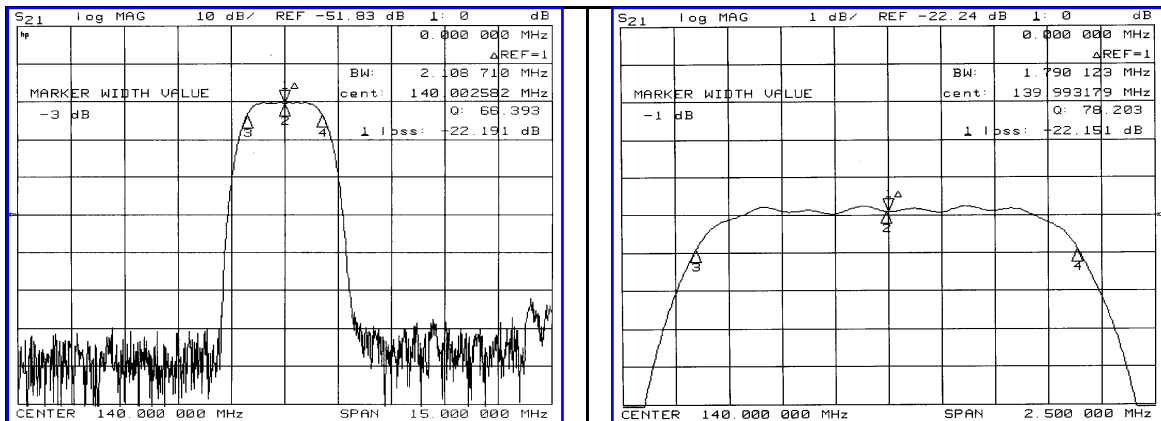


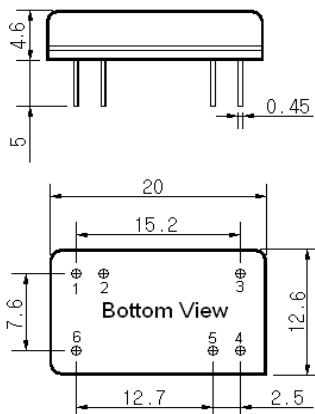
### Typical Performance



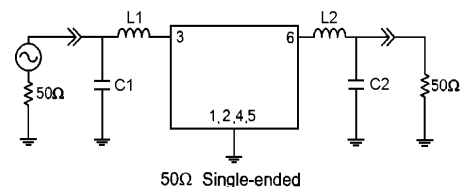
### Specification

Parameter	Unit	Min.	Typ.	Max.
Center Frequency	MHz	139.90	140.00	140.10
Insertion Loss	dB	-	22.00	24.00
1dB Bandwidth	MHz	-	1.79	-
3dB Bandwidth	MHz	2.00	2.10	-
20dB Bandwidth	MHz	-	3.00	-
35dB Bandwidth	MHz	-	3.38	3.60
Passband Ripple	dB	-	0.45	1.00
Group Delay Variation	nsec	-	50	100
Absolute Delay	µsec	-	2.03	-
Ultimate Attenuation	dB	50	55	-
Substrate Material	-	Quartz		
Temperature Coefficient	ppm/°C <sup>2</sup>	-0.03		

### Package Dimension



### Matching Configuration



L1=68nH, L2=56nH, C1=39pF, C2=68pF  
 Source / Load Impedance = 50Ω  
 Ambient Temperature = 25°C

04/04/2006

