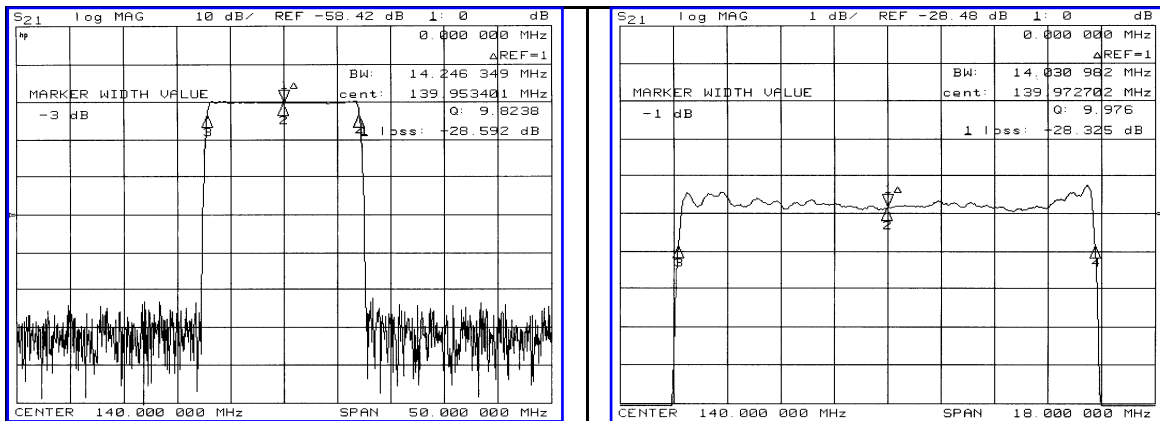


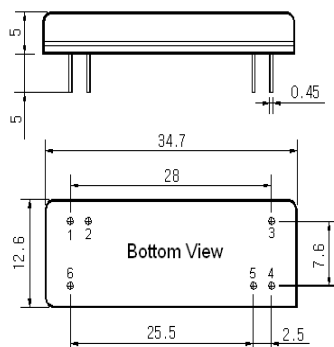
Typical Performance



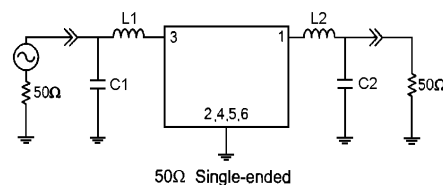
Specification

Parameter	Unit	Min.	Typ.	Max.
Center Frequency	MHz	139.90	140.00	140.10
Insertion Loss	dB	-	28.50	30.00
1dB Bandwidth	MHz	13.90	14.03	14.10
3dB Bandwidth	MHz	14.10	14.24	14.30
Out of Band gain offset from 3dB				
@ 200KHz	dB	3.0	7.0	-
@ 500KHz	dB	35.0	36.0	-
@ 700KHz	dB	50.0	55.0	-
Passband Ripple	dB	-	0.70	1.00
Group Delay Variation	nsec	-	60	150
Absolute Delay	μsec	-	3.62	-
Ultimate Attenuation	dB	50	55	-
Substrate Material	-	LiTaO ₃		

Package Dimension



Matching Configuration



L1=L2=47nH, C1=43pF, C2=47pF
 Source / Load Impedance = 50Ω
 Ambient Temperature = 25°C

04/11/2006

