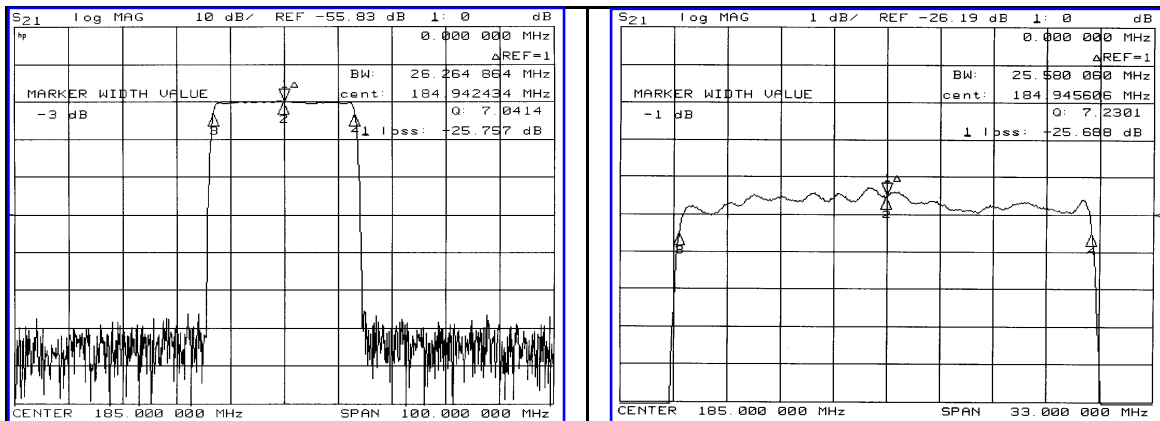


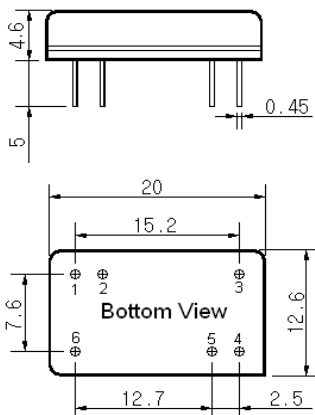
### Typical Performance



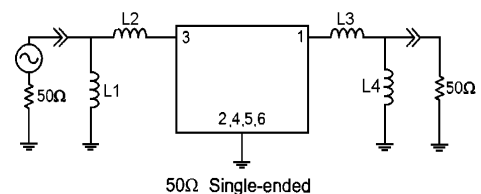
### Specification

Parameter	Unit	Min.	Typ.	Max.
Center Frequency (Fc)	MHz	-	185.00	-
Insertion Loss	dB	-	25.50	27.00
1dB Bandwidth	MHz	-	25.58	-
3dB Bandwidth	MHz	26.00	26.26	-
40dB Bandwidth	MHz	-	28.63	29.00
Passband Ripple (Fc±12.50MHz)	dB	-	0.75	1.00
Group Delay Variation (Fc±12.50MHz)	nsec	-	30	80
Absolute Delay	µsec	-	2.12	-
Ultimate Attenuation	dB	50	55	-
Substrate Material	-	LiTaO <sub>3</sub>		
Temperature Coefficient	ppm/°C	-20		

### Package Dimension



### Matching Configuration



L1=15nH, L2=12nH, L3=12nH, L4=18nH  
 Source / Load Impedance = 50Ω  
 Ambient Temperature = 25°C

03/21/2006

