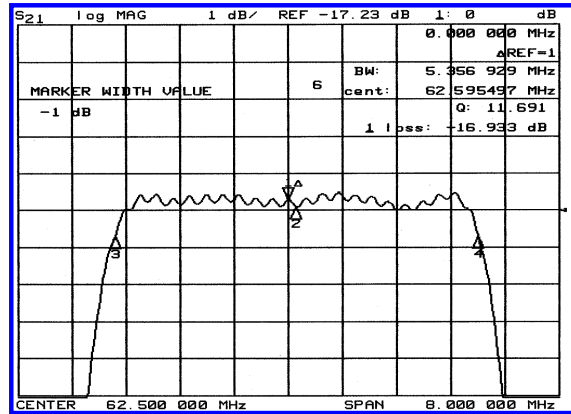
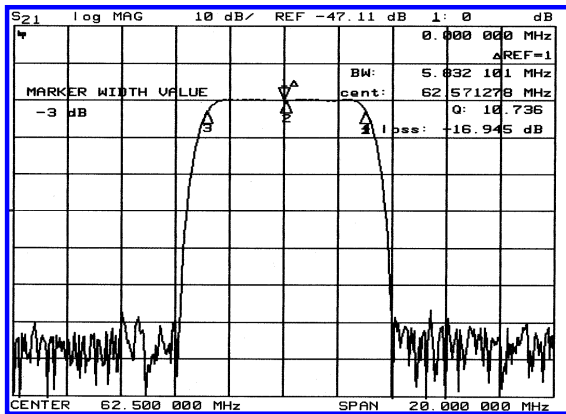


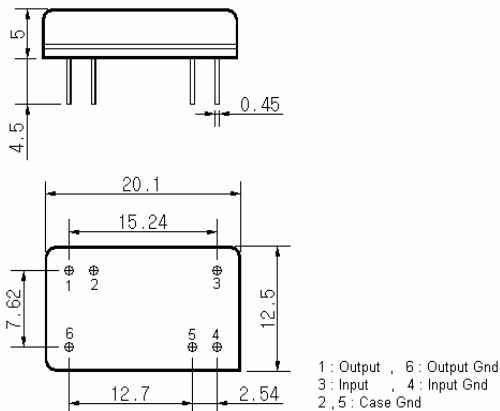
Typical Performance



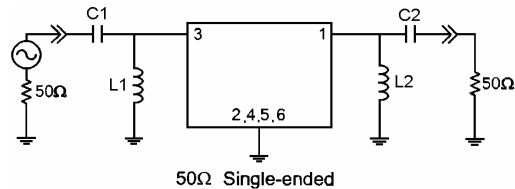
Specification

| Parameter | Unit | Min. | Typ. | Max. |
|-------------------------|---------------------|------------------------|-------|-------|
| Center Frequency | Mhz | 62.42 | 62.50 | 62.58 |
| Insertion Loss | dB | - | 17.00 | 19.00 |
| 1dB Bandwidth | Mhz | 5.20 | 5.37 | - |
| 3dB Bandwidth | Mhz | 5.70 | 5.83 | - |
| 40dB Bandwidth | Mhz | - | 7.55 | 7.80 |
| 50dB Bandwidth | Mhz | - | 7.72 | - |
| Passband Ripple | dB | - | 0.55 | 1.00 |
| Group Delay Variation | nsec | - | 100 | 200 |
| Absolute Delay | µsec | - | 2.0 | - |
| Ultimate Attenuation | dB | 50 | 60 | - |
| Substrate Material | - | 128-LiNbO ₃ | | |
| Temperature Coefficient | ppm/jC ² | -72 | | |

Package Dimension



Matching Configuration



L1=L2=0.18µH, C1=56pF, C2=75pF
 Source / Load Impedance = 50Ω
 Ambient Temperature = 25jC

12/09/2004

