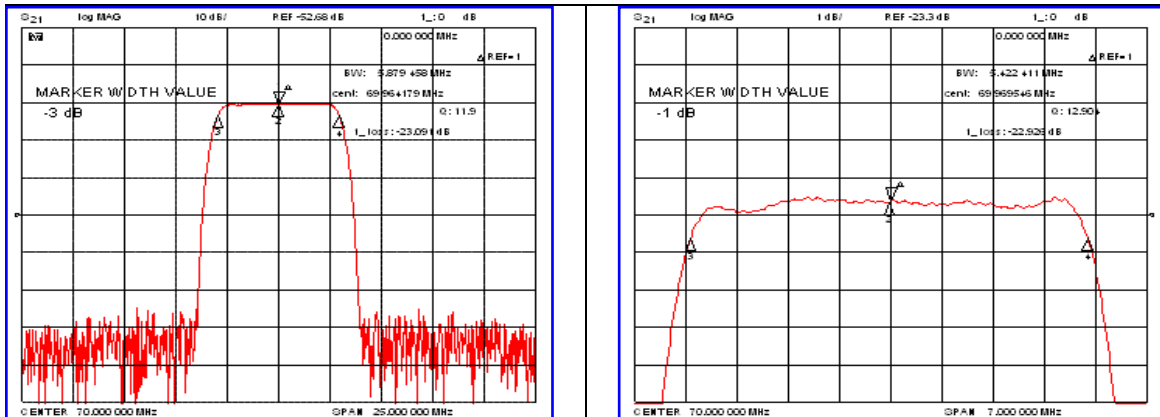


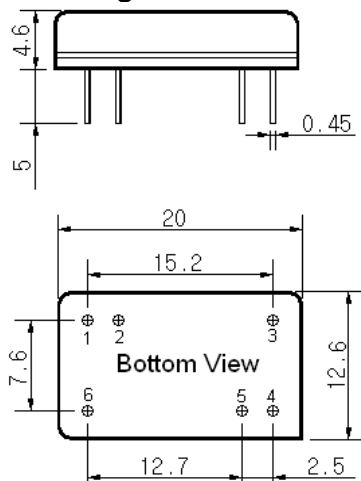
Typical Performance



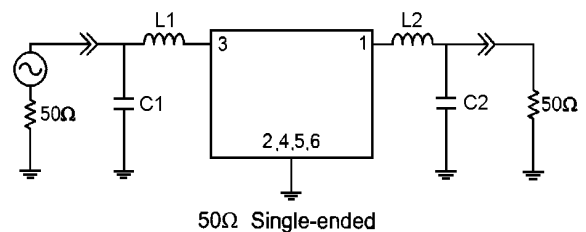
Specification

Parameter	Unit	Min.	Typ.	Max.
Center Frequency	MHz	69.92	70.00	70.08
Insertion Loss	dB	-	23.07	25.00
1dB Bandwidth	MHz	-	5.42	-
3dB Bandwidth	MHz	5.80	5.87	-
40dB Bandwidth	MHz	-	7.59	7.80
Passband Ripple	dB	-	0.45	1.00
Group Delay Variation	nsec	-	55	100
Absolute Delay	µsec	-	2.95	-
Ultimate Attenuation	dB	50	55	-
Substrate Material	-	LiTaO ₃		
Temperature Coefficient	ppm/°C	-20		

Package Dimension



Matching Configuration



L1=220nH, L2=220nH, C1=47pF, C2=47pF
 Source / Load Impedance = 50Ω
 Ambient Temperature = 25°C

Rev0. 080822

